

# Las bombas Autocebantes de la Serie Sanitaria

solucionan el trasiego de la más amplia gama de productos alimentarios, químicos y farmacéuticos, con caudales de 2.000 a 50.000 l/h

## The Self-priming Pumps in the Sanitary Series

provide solutions to decanting the widest range of foods, chemical and pharmaceutical products, with a flow-rate from 2,000 to 50,000 l/h.

### DESCRIPCIÓN

DESCRIPTION

La Serie Sanitaria es una gama de bombas de turbina flexible especialmente diseñada para solucionar las necesidades de trasiego de líquidos en la industria alimentaria. Los cuerpos de las bombas están fabricados íntegramente en acero inoxidable 316 L.

La turbina es fabricada en nitrilo sanitario, con certificado según las normas FDA del L.G.A.I. Technological Center.

Las bombas sanitarias aportan una gran facilidad de limpieza, permitiendo su desmontaje en pocos segundos y sin necesidad de herramientas.

Su estudiado diseño permite una total visualización de todas las partes en contacto con el producto, ya que no existen puntos ciegos donde puedan desarrollarse las bacterias.

The Sanitary Series is a range of flexible impeller pumps, specially designed to provide solutions to food industry decanting; the pump bodies are made wholly in 316 L stainless steel.

The impeller is made of Sanitary nitrile. It has the certificate according to the FDA standards of the General Testing and Research L.G.A.I. Technological Center.

The Sanitary pumps are very easy to clean, and can be disassembled in just a few seconds, with no need for tools. Their carefully studied design allows complete visualization of all parts in contact with the product, as there can be no blind spots where bacteria can breed.

### CARACTERÍSTICAS

CHARACTERISTICS

- Totalmente desmontables en segundos.
- Sin levas ni elementos que puedan producir contaminación.
- Capacidad de trasegar productos viscosos de hasta 22.000 cP.
- Fácilmente transportables.
- Flujo constante.
- Autocebantes.
- Volumétricas y reversibles.
- Trasega productos delicados sin dañarlos.
- Capacidad de aspiración hasta 3 m c.d.a.
- Presión de salida hasta 3 bar.

- Full disassembly in seconds.
- No cams or elements which could cause contamination.
- They can decant viscous products up to 22,000 cP.
- Easily transportable.
- Constant flow.
- Self-priming.
- Volumetric and reversible.
- Decanting of delicate products without damaging them.
- Suction capacity up to 3 m. a.d.c.
- Output pressure up to 3 bar.



### TURBINAS

IMPELLERS

Las turbinas de paletas flexibles no tienen elementos cortantes y permiten a la bomba trabajar a bajas velocidades, por lo que tratan el producto con el máximo cuidado, sin dañarlo (aún con baja presión y en depresión). Disponemos de turbinas flexibles fabricadas en diversos materiales, en función del producto a bombear. Soportan distintos líquidos a distintas temperaturas.

The flexible blade impellers are free from cutting elements and enable the pump to work at high revolutions, and so they treat the product with the utmost care, without damaging it (even if low in pressure and in negative pressure). Depending on the type of product to be pumped, we have flexible impellers made in different materials, which support different liquids at different temperatures.

### APLICACIONES

APPLICATIONS

Leche, yogourt, glucosa, vino, mostos, miel, mermelada, zumos, alcohol, aceite, salmuera, agua destilada, champú, entre otros.

Milk, yoghurt, glucose, wine, musts, honey, jam, juices, alcohol, oil, brine, distilled water, shampoo, amongst.

### INDUSTRIAS

INDUSTRIES

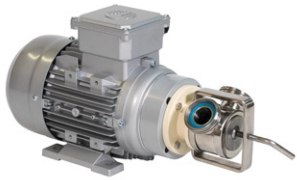
Láctea, frutícola, pastelera, envasadora, farmacéutica, química, vitivinícola, destilerías, dermo-farmacia, almazaras.

Dairy, Fruit, Patisserie, Packaging, Pharmaceutical, Cosmetics, Chemical, Wine-making, Distilleries, Dermo-pharmacy olive press.



# SERIE SANITARIA 230 II, 230/400 III, 12 V, 24 V y EJE LIBRE

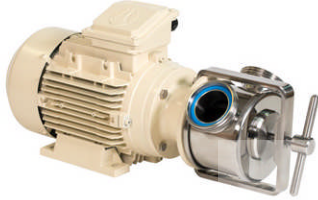
SANITARY SERIES 230 II, 230/400 III, 12 V, 24 V and FREE SHAFT



R-5



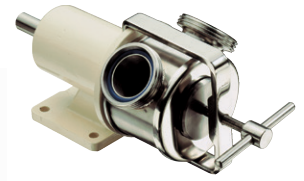
R-10



R-20



R-50



EJE LIBRE  
Free shaft

## TURBINAS IMPELLERS

NEOPRENO / NEOPRENE:

NITRILO / NITRILE:

HYPALON / HYPALON:

E.P.D.M. / M.D.P.E:

SANITARIA / SANITARY:

BL / WS:

de utilización general / general use

para aceites y derivados / for oil and by-products

para productos químicos / for chemical products

para productos corrosivos / for corrosive products

para uso alimentario / for food with high temperatures use

para uso alimentario (blanco) / for food with high temperatures use

70°C

80°C

110°C

80°C

130°C

100°C

(Las turbinas sanitarias tienen certificado FDA)

(The Sanitary impeller with certificate according to FDA standards)

| MODELO<br>MODEL  | CTE         | r.p.m | C.V. / H.P. | kW   | l/h    | bar |
|--|-------------|-------|-------------|------|--------|-----|
| <b>R-5</b>   | 230 II      | 1.500 | 0,75        | 0,55 | 4.500  | 3   |
|  | 230 II      | 950   | 1,00        | 0,75 | 4.500  | 2,5 |
|  | 230/400 III | 1.500 | 0,75        | 0,55 | 4.500  | 3   |
|  | 230/400 III | 950   | 0,50        | 0,37 | 3.000  | 2,5 |
|  | 230/400 III | 750   | 0,33        | 0,25 | 2.000  | 2   |
| ANTIDEFAGRANTE / FLAMEPROOF<br>BOMBA A EJE LIBRE / FREE SHAFT PUMP |             |       |             |      |        |     |
| <b>R-10</b>  | 230 II      | 1.500 | 2,00        | 1,50 | 10.000 | 2   |
|  | 230/400 III | 1.500 | 1,50        | 1,12 | 10.000 | 2   |
|  | 230/400 III | 950   | 1,00        | 0,75 | 7.500  | 1,5 |
|  | 230/400 III | 750   | 0,75        | 0,55 | 4.500  | 1,2 |
| ANTIDEFAGRANTE / FLAMEPROOF<br>BOMBA A EJE LIBRE / FREE SHAFT PUMP |             |       |             |      |        |     |
| <b>R-20</b>  | 230 II      | 1.500 | 2,00        | 1,50 | 10.000 | 2   |
|  | 230/400 III | 1.500 | 2,00        | 1,50 | 20.000 | 2   |
|  | 230/400 III | 950   | 1,50        | 1,12 | 12.000 | 1,5 |
|  | 230/400 III | 750   | 1,00        | 0,75 | 8.000  | 1,2 |
| ANTIDEFAGRANTE / FLAMEPROOF<br>BOMBA A EJE LIBRE / FREE SHAFT PUMP |             |       |             |      |        |     |
| <b>R-50</b>  | 230/400 III | 950   | 5,50        | 4,0  | 50.000 | 2,5 |
|  | 230/400 III | 750   | 4,1         | 3    | 40.000 | 2   |
| ANTIDEFAGRANTE / FLAMEPROOF<br>BOMBA A EJE LIBRE / FREE SHAFT PUMP |             |       |             |      |        |     |

# ACCESORIOS

## ACCESSORIES

### CUERPOS DE BOMBA CON SALIDAS ESPECIALES Y BOQUILLAS / TUERCAS

#### PUMP BODIES WITH SPECIAL CONNECTIONS AND NOZZLE/NUT



DIN

SMS

MACON

GAS

CLAMP

BOQUILLAS - TUERCAS DIN  
NOZZLE - NUT DIN

|      |       |     |
|------|-------|-----|
| R-5  | NW-25 | 1"  |
| R-10 | NW-32 | 1¼" |
| R-20 | NW-50 | 2"  |
| R-50 | NW-65 | 2½" |

BOQUILLAS - TUERCAS DIN  
NOZZLE - NUT DIN

|      |       |     |     |      |
|------|-------|-----|-----|------|
| R-5  | NW-25 | 1"  | 1½" | 38mm |
| R-10 | NW-32 | 1¼" | 2"  | 50mm |
| R-20 | NW-50 | 2"  | 2½" | 63mm |
| R-50 | NW-65 | 2½" | 3"  | 76mm |

### CAJA ELÉCTRICA CON INVERSOR

#### ELECTRICAL BOX WITH INVERTER

Para la bomba R-50. Incluye protector térmico.  
For R-50 pump. It includes thermal protection.

### CARRETILLA TRANSPORTE

#### TRANSPORT WHEELBARROW

### INVERSOR

#### INVERTER

Inversor con toma de corriente Zetac de 4 polos y 16A.  
Permite invertir el sentido de rotación.  
Mando de arranque-paro.

Inverter with 16-A, 4 poles Zetac plug.  
It enables the flow direction to be inverted. Start – stop button.

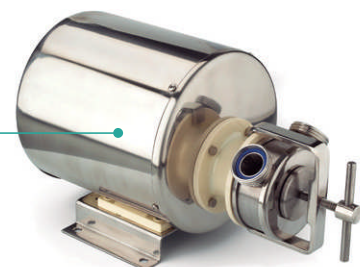


### CUBRE MOTOR DE ACERO INOXIDABLE

#### STAINLESS STEEL CASING

Para las bombas R-5, R-10, R-20 y R-50.  
Protege y garantiza las condiciones higiénicas del motor.

For R-5, R-10, R-20 and R-50 pumps.  
It protects the motor and guarantees its hygienic conditions.



### VARIADOR DE FRECUENCIA

#### FREQUENCY REGULATOR

Equipo compacto para regular el caudal de bombas con potencia hasta 4kW.

Compact unit for regulating the flow-rate of power pumps up to 4 kW.

- Protección del motor,
- Entrada de tensión protegida,
- Caja con protección IP55.

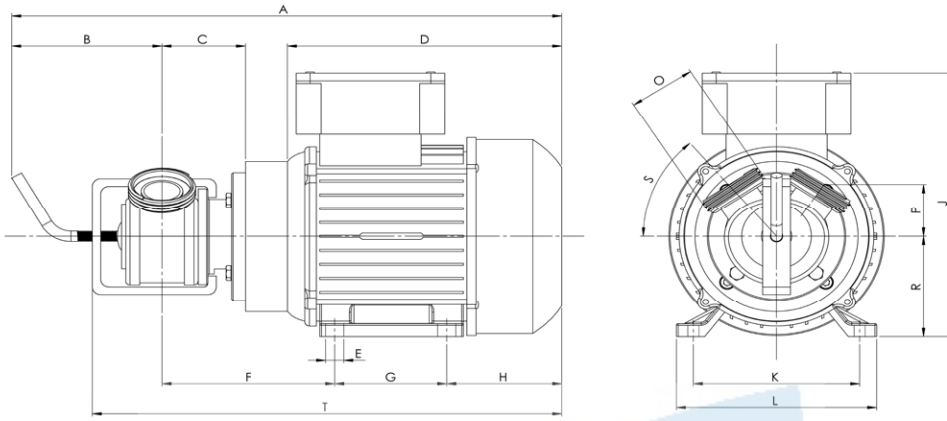
- Total protection of the motor.
- The voltage input is protected.
- Box with IP55 protection.



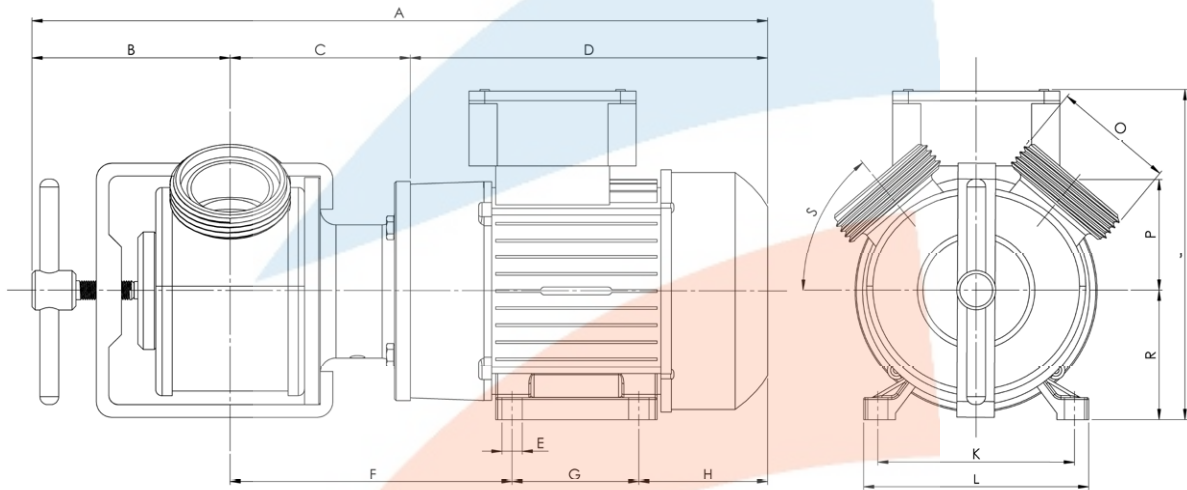
# SERIE SANITARIA MONOBLOC

## MONOBLOC SANITARY SERIES

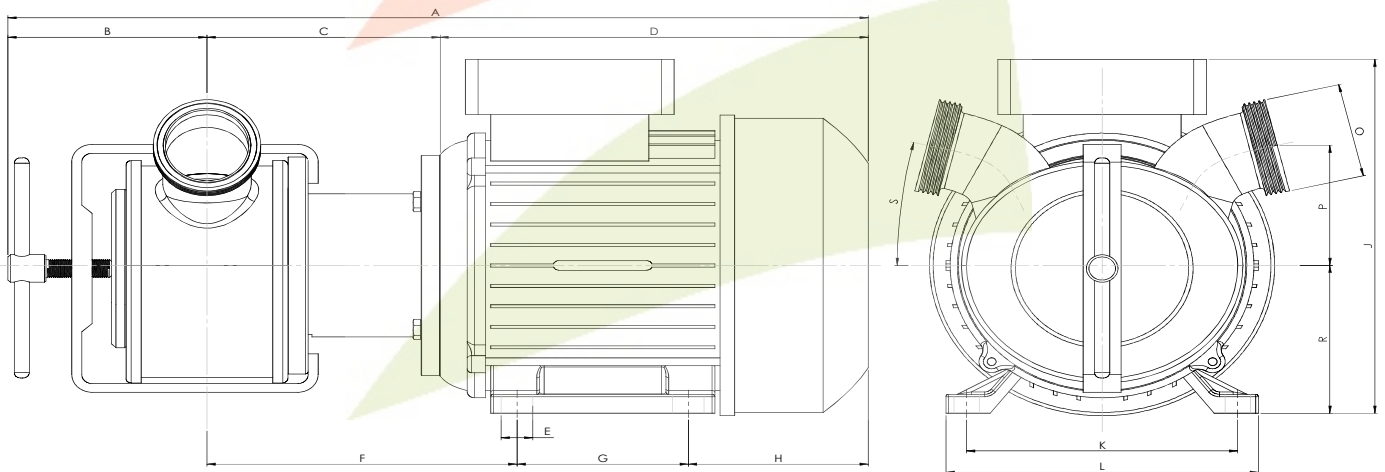
### R-5



### R-10 / R-20



### R-50



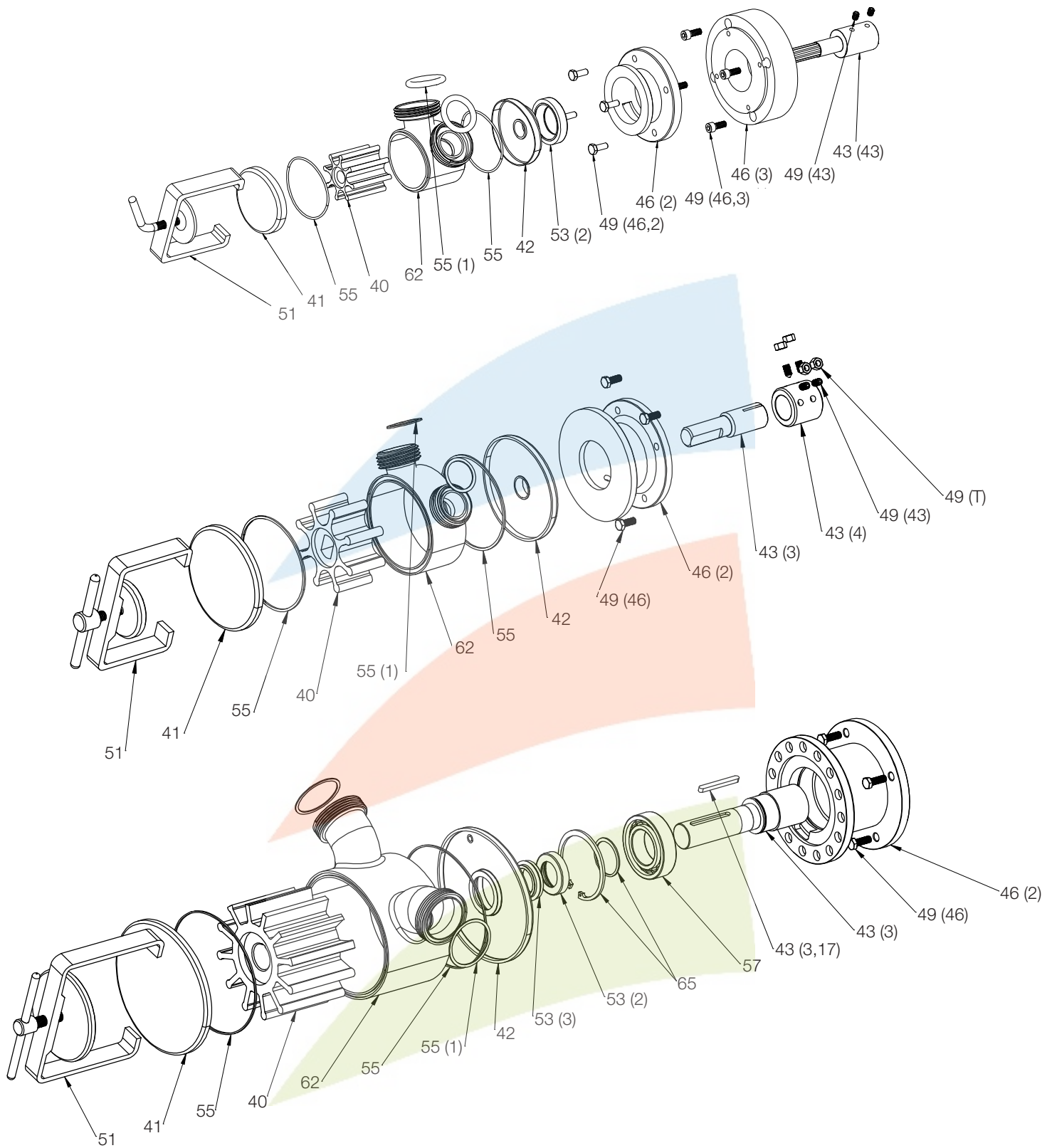
#### MODELO MODEL

|             | A   | B   | C   | D   | E  | F   | G   | H   | J   | K   | L   | O     | P   | R   | S   |
|-------------|-----|-----|-----|-----|----|-----|-----|-----|-----|-----|-----|-------|-----|-----|-----|
| <b>R-5</b>  | 445 | 105 | 62  | 248 | 10 | 140 | 100 | 100 | 212 | 125 | 160 | NW-25 | 30  | 80  | 45° |
| <b>R-10</b> | 462 | 105 | 97  | 260 | 10 | 155 | 100 | 102 | 232 | 140 | 175 | NW-32 | 55  | 90  | 45° |
| <b>R-20</b> | 522 | 123 | 115 | 284 | 10 | 170 | 126 | 103 | 232 | 140 | 175 | NW-50 | 60  | 90  | 45° |
| <b>R-50</b> | 705 | 175 | 190 | 375 | 10 | 190 | 145 | 145 | 320 | 215 | 262 | NW-65 | 110 | 135 | 0°  |

Medidas orientativas / Illustrative measures

# SERIE SANITARIA G, R-5, R-10, R-20, R-50

SANITARY SERIES G, R-5, R-10, R-20, R-50

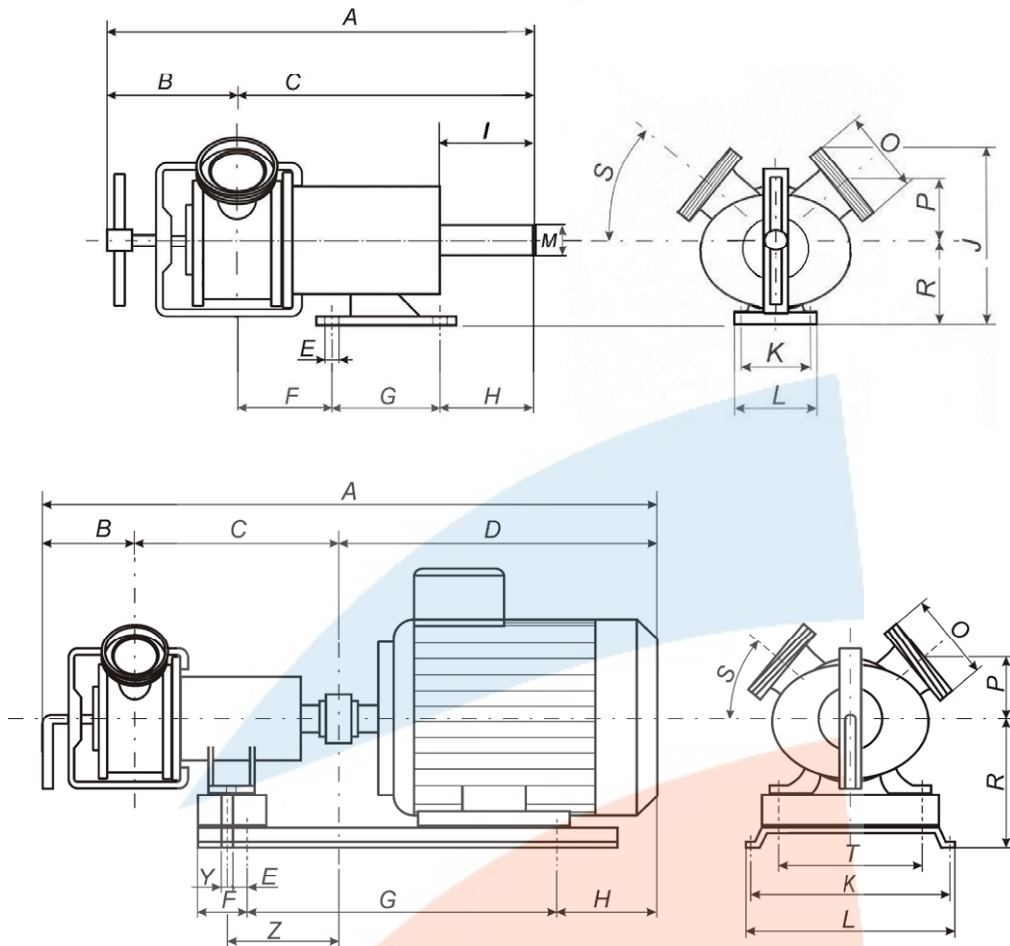


## DESPIECE PACK BREAKDOWN

|                  |                     |                  |                  |               |                 |           |              |
|------------------|---------------------|------------------|------------------|---------------|-----------------|-----------|--------------|
| <b>40</b>        | Turbina             | <b>43 (4)</b>    | Balona           | <b>49</b>     | Tornillo balona | <b>62</b> | Cuerpo bomba |
| <b>41</b>        | Tapa exterior       | <b>42</b>        | Tapa interior    | <b>51</b>     | Brida           | <b>65</b> | Circlip      |
| <b>46 (2)</b>    | Pletina             | <b>46 (3)</b>    | Adaptador        | <b>53 (2)</b> | Sello mecánico  |           |              |
| <b>43 (3)</b>    | Eje suplemento      | <b>49 (46,2)</b> | Tornillo pletina | <b>53 (3)</b> | Cerámica        |           |              |
| <b>49 (46,3)</b> | Tornillo adaptador  | <b>55</b>        | Junta tórica     | <b>55 (1)</b> | Junta racord    |           |              |
| <b>40</b>        | Impeller            | <b>43 (4)</b>    | Ball             | <b>49</b>     | Ball screw      | <b>62</b> | Pump body    |
| <b>41</b>        | Outer cap           | <b>42</b>        | Inner cap        | <b>51</b>     | Flange          | <b>65</b> | Circlip      |
| <b>46 (2)</b>    | Strip               | <b>46 (3)</b>    | Adapter          | <b>53 (2)</b> | Mechanical seal |           |              |
| <b>43 (3)</b>    | Supplementary shaft | <b>49 (46,2)</b> | Strip screw      | <b>53 (3)</b> | Ceramic washer  |           |              |
| <b>49 (46,3)</b> | Adapter screw       | <b>55</b>        | O-ring           | <b>55 (1)</b> | Racord seal     |           |              |

# SERIE SANITARIA EJE LIBRE R-5, R-10, R-20, R-50

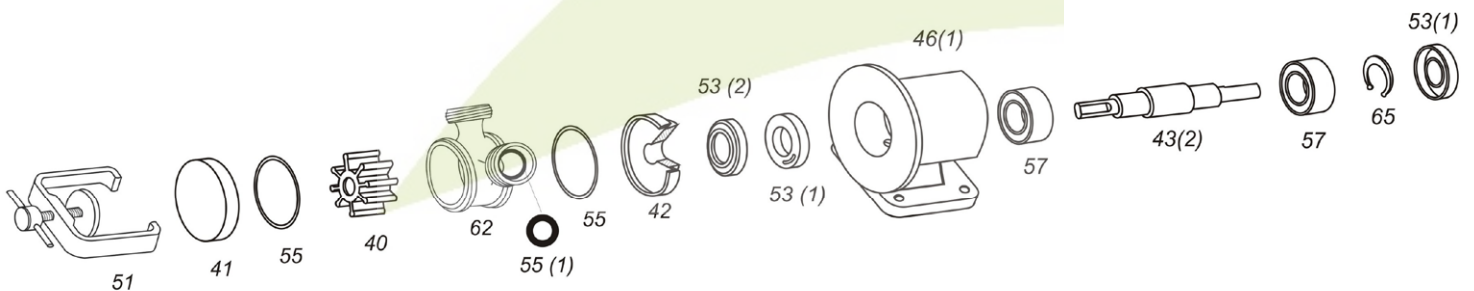
## SANITARY SERIES FREE SHAFT R-5, R-10, R-20, R-50



MODELO  
MODEL

| MODELO<br>MODEL                 | A   | B   | C   | D   | E  | F   | G   | H   | J   | K   | L   | O     | P   | R   | S   | T  | Y | Z   |
|---------------------------------|-----|-----|-----|-----|----|-----|-----|-----|-----|-----|-----|-------|-----|-----|-----|----|---|-----|
| <b>R-5</b>                      | 277 | 100 | 177 | *   | 10 | 78  | *   | *   | 105 | 103 | 80  | NW-25 | 35  | 70  | 45° | 80 | 9 | 102 |
| <b>R-5 bancada / base-plate</b> | 543 | 100 | 177 | 266 | 9  | 75  | 199 | 140 | 223 | 200 | 221 | NW-25 | 35  | 110 | 45° | 80 | 9 | 102 |
| <b>R-10</b>                     | 380 | 25  | 255 | *   | 12 | 80  | 90  | 85  | 170 | 90  | 122 | NW-32 | 57  | 90  | 45° | *  | * | *   |
| <b>R-20</b>                     | 415 | 143 | 272 | *   | 12 | 97  | 90  | 85  | 170 | 90  | 122 | NW-50 | 57  | 90  | 45° | *  | * | *   |
| <b>R-50</b>                     | 557 | 175 | 382 | *   | 17 | 115 | 132 | 135 | 310 | 142 | 178 | NW-65 | 110 | 160 | 0°  | *  | * | *   |

Medidas orientativas / Illustrative measures



### DESPIECE PACK BREAKDOWN

|               |                         |                |                  |               |                |           |         |
|---------------|-------------------------|----------------|------------------|---------------|----------------|-----------|---------|
| <b>40</b>     | Turbina                 | <b>46 (1)</b>  | Soporte          | <b>53 (3)</b> | Cerámica       | <b>65</b> | Circlip |
| <b>41</b>     | Tapa exterior           | <b>49 (46)</b> | Tornillo pletina | <b>55</b>     | Junta tórica   |           |         |
| <b>42</b>     | Tapa interior           | <b>51</b>      | Brida            | <b>55 (1)</b> | Junta racord   |           |         |
| <b>43 (2)</b> | Eje bomba eje libre     | <b>53 (2)</b>  | Sello mecánico   | <b>62</b>     | Cuerpo bomba   |           |         |
| <b>40</b>     | Impeller                | <b>46 (1)</b>  | Bracket          | <b>53 (3)</b> | Ceramic washer | <b>65</b> | Circlip |
| <b>41</b>     | Outer cap               | <b>49 (46)</b> | Strip screw      | <b>55</b>     | O-ring         |           |         |
| <b>42</b>     | Inner cap               | <b>51</b>      | Flange           | <b>55 (1)</b> | Adapter seal   |           |         |
| <b>43 (2)</b> | Pump shaft - free shaft | <b>53 (2)</b>  | Mechanical seal  | <b>62</b>     | Pump body      |           |         |