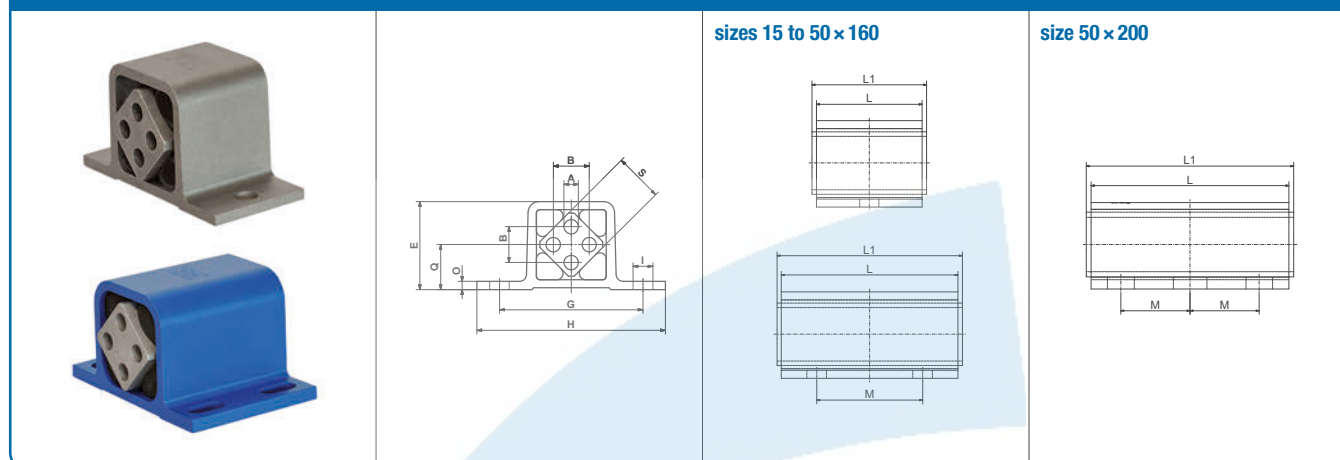


Rubber Suspension Element

DW-A 15 to 50



Part no.	Type	ϕA	B	E	G	H	ϕI	O	Q	$\square S$	L	L1	M	Weight [kg]
01 101 016	DW-A 15 x 25	$5^{+0.5}_0$	$10_{\pm 0.2}$	29	50	65	7	3	15	15	25	$30^{0}_{-0.3}$	—	0.04
01 101 017	DW-A 15 x 40	$5^{+0.5}_0$	$10_{\pm 0.2}$	29	50	65	7	3	15	15	40	$45^{0}_{-0.3}$	—	0.07
01 101 018	DW-A 15 x 60	$5^{+0.5}_0$	$10_{\pm 0.2}$	29	50	65	7	3	15	15	60	$65^{0}_{-0.3}$	40	0.10
01 101 019	DW-A 18 x 30	$6^{+0.5}_0$	$12_{\pm 0.3}$	35	60	80	9	3.5	18	18	30	$35^{0}_{-0.3}$	—	0.08
01 101 020	DW-A 18 x 50	$6^{+0.5}_0$	$12_{\pm 0.3}$	35	60	80	9	3.5	18	18	50	$55^{0}_{-0.3}$	—	0.13
01 101 021	DW-A 18 x 80	$6^{+0.5}_0$	$12_{\pm 0.3}$	35	60	80	9	3.5	18	18	80	$85^{0}_{-0.3}$	50	0.20
01 101 022	DW-A 27 x 40	$8^{+0.5}_0$	$20_{\pm 0.4}$	49	80	105	11	4.5	25	27	40	$45^{0}_{-0.3}$	—	0.21
01 101 023	DW-A 27 x 60	$8^{+0.5}_0$	$20_{\pm 0.4}$	49	80	105	11	4.5	25	27	60	$65^{0}_{-0.3}$	—	0.31
01 101 024	DW-A 27 x 100	$8^{+0.5}_0$	$20_{\pm 0.4}$	49	80	105	11	4.5	25	27	100	$105^{0}_{-0.3}$	60	0.51
01 101 025	DW-A 38 x 60	$10^{+0.5}_0$	$25_{\pm 0.4}$	67	100	125	13	6	34	38	60	$70^{0}_{-0.3}$	—	0.57
01 101 026	DW-A 38 x 80	$10^{+0.5}_0$	$25_{\pm 0.4}$	67	100	125	13	6	34	38	80	$90^{0}_{-0.3}$	40	0.75
01 101 027	DW-A 38 x 120	$10^{+0.5}_0$	$25_{\pm 0.4}$	67	100	125	13	6	34	38	120	$130^{0}_{-0.3}$	80	1.12
01 101 043	DW-A 45 x 80	$12^{+0.5}_0$	$35_{\pm 0.5}$	81	115	145	13×27	9	41	45	80	$90^{0}_{-0.3}$	—	1.08
01 101 044	DW-A 45 x 100	$12^{+0.5}_0$	$35_{\pm 0.5}$	81	115	145	13×27	9	41	45	100	$110^{0}_{-0.3}$	58	1.35
01 101 045	DW-A 45 x 150	$12^{+0.5}_0$	$35_{\pm 0.5}$	81	115	145	13×27	9	41	45	150	$160^{0}_{-0.3}$	90	2.00
01 101 046	DW-A 50 x 120	M12 x 40	$40_{\pm 0.5}$	88	130	170	17×27	12	45	50	120	$130^{0}_{-0.3}$	60	1.91
01 101 047	DW-A 50 x 160	M12 x 40	$40_{\pm 0.5}$	88	130	170	17×27	12	45	50	160	$170^{0}_{-0.3}$	70	2.57
01 101 048	DW-A 50 x 200	M12 x 40	$40_{\pm 0.5}$	88	130	170	17×27	12	45	50	200	$210^{0}_{-0.3}$	70	3.18

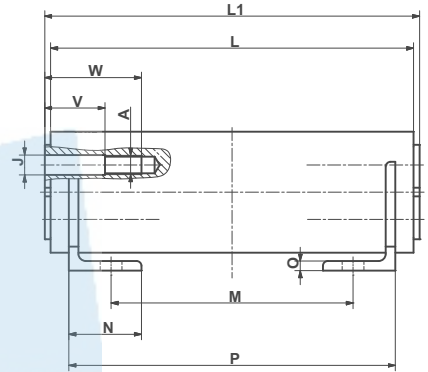
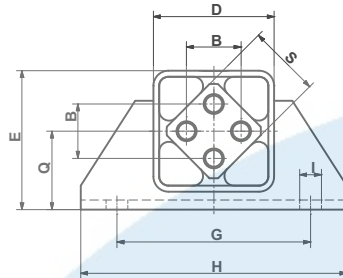
List of torque and loads on page 2.3.

If no other units are specified, the numbers given are in mm.

Housing sizes 45 and 50 painted blue.

Rubber Suspension Element

DW-A 60 to 100



Part no.	Type	A	B	D	E	G	H	øI	øJ	N	O	Q	□S	V	W	L	L1	M	P	Weight [kg]
01 101 031	DW-A 60 × 150	M16	45	100	115	160	220	18	16,5	60	8	65	60	40	70	150	160 ±0.2	60	130	8.74
01 101 032	DW-A 60 × 200	M16	45	100	115	160	220	18	16,5	60	8	65	60	50	80	200	210 ±0.2	100	170	11.10
01 101 033	DW-A 60 × 300	M16	45	100	115	160	220	18	16,5	60	8	65	60	50	80	300	310 ±0.2	200	270	15.90
01 101 034	DW-A 70 × 200	M20	50	120	140	200	260	22	20,5	65	9	80	70	50	90	200	210 ±0.2	100	170	15.87
01 101 035	DW-A 70 × 300	M20	50	120	140	200	260	22	20,5	65	9	80	70	50	90	300	310 ±0.2	200	270	21.70
01 101 036	DW-A 70 × 400	M20	50	120	140	200	260	22	20,5	65	9	80	70	50	90	400	410 ±0.2	300	370	28.20
01 101 037	DW-A 80 × 200	M20	60	136	153	220	280	22	20,5	80	10	85	80	50	90	200	210 ±0.2	80	170	21.70
01 101 038	DW-A 80 × 300	M20	60	136	153	220	280	22	20,5	80	10	85	80	50	90	300	310 ±0.2	180	270	29.40
01 101 039	DW-A 80 × 400	M20	60	136	153	220	280	22	20,5	80	10	85	80	50	90	400	410 ±0.2	280	370	39.40
01 101 040	DW-A 100 × 250	M24	75	170	195	300	380	26	25	100	12	110	100	50	100	250	260 ±0.2	110	220	41.00
01 101 041	DW-A 100 × 400	M24	75	170	195	300	380	26	25	100	12	110	100	50	100	400	410 ±0.2	260	370	64.70
01 101 042	DW-A 100 × 500	M24	75	170	195	300	380	26	25	100	12	110	100	50	100	500	510 ±0.2	360	470	78.70

List of torque and loads on page 2.3.

If no other units are specified, the numbers given are in mm.