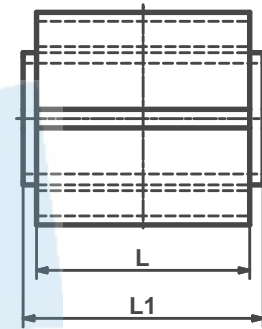
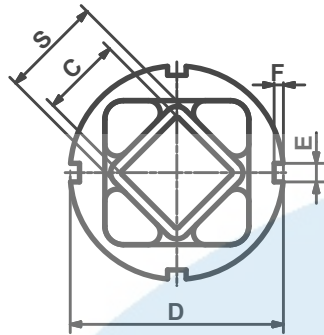


# Rubber Suspension Element

## DK-S



2

Part no.	Type	□C	∅D	E	F	□S	L	L1	Weight [kg]
01 081 001	DK-S 11 × 20	8 <sup>+0.25</sup> <sub>0</sub>	28 <sup>+0.5</sup> <sub>-0.1</sub>	4	2.5	11	20	25 ±0.2	0.03
01 081 002	DK-S 11 × 30	8 <sup>+0.25</sup> <sub>0</sub>	28 <sup>+0.5</sup> <sub>-0.1</sub>	4	2.5	11	30	35 ±0.2	0.04
01 081 003	DK-S 11 × 50	8 <sup>+0.25</sup> <sub>0</sub>	28 <sup>+0.5</sup> <sub>-0.1</sub>	4	2.5	11	50	55 ±0.2	0.07
01 081 004	DK-S 15 × 25	11 <sup>+0.25</sup> <sub>0</sub>	36 <sup>+0.5</sup> <sub>-0.1</sub>	5	2.5	15	25	30 ±0.2	0.06
01 081 005	DK-S 15 × 40	11 <sup>+0.25</sup> <sub>0</sub>	36 <sup>+0.5</sup> <sub>-0.1</sub>	5	2.5	15	40	45 ±0.2	0.10
01 081 006	DK-S 15 × 60	11 <sup>+0.25</sup> <sub>0</sub>	36 <sup>+0.5</sup> <sub>-0.1</sub>	5	2.5	15	60	65 ±0.2	0.14
01 081 007	DK-S 18 × 30	12 <sup>+0.25</sup> <sub>0</sub>	45 <sup>+0.6</sup> <sub>-0.1</sub>	5	2.5	18	30	35 ±0.2	0.13
01 081 008	DK-S 18 × 50	12 <sup>+0.25</sup> <sub>0</sub>	45 <sup>+0.6</sup> <sub>-0.1</sub>	5	2.5	18	50	55 ±0.2	0.21
01 081 009	DK-S 18 × 80	12 <sup>+0.25</sup> <sub>0</sub>	45 <sup>+0.6</sup> <sub>-0.1</sub>	5	2.5	18	80	85 ±0.2	0.32
01 081 010	DK-S 27 × 40	22 <sup>+0.25</sup> <sub>0</sub>	62 <sup>+0.7</sup> <sub>-0.1</sub>	6	3	27	40	45 ±0.2	0.27
01 081 011	DK-S 27 × 60	22 <sup>+0.25</sup> <sub>0</sub>	62 <sup>+0.7</sup> <sub>-0.1</sub>	6	3	27	60	65 ±0.2	0.40
01 081 012	DK-S 27 × 100	22 <sup>+0.25</sup> <sub>0</sub>	62 <sup>+0.7</sup> <sub>-0.1</sub>	6	3	27	100	105 ±0.2	0.66
01 081 013	DK-S 38 × 60	30 <sup>+0.25</sup> <sub>0</sub>	80 <sup>+0.8</sup> <sub>-0.1</sub>	7	3.5	38	60	70 ±0.2	0.70
01 081 014	DK-S 38 × 80	30 <sup>+0.25</sup> <sub>0</sub>	80 <sup>+0.8</sup> <sub>-0.1</sub>	7	3.5	38	80	90 ±0.2	0.92
01 081 015	DK-S 38 × 120	30 <sup>+0.25</sup> <sub>0</sub>	80 <sup>+0.8</sup> <sub>-0.1</sub>	7	3.5	38	120	130 ±0.2	1.36
01 081 016	DK-S 45 × 80	35 <sup>+0.4</sup> <sub>0</sub>	95 <sup>+1.0</sup> <sub>-0.1</sub>	8	4	45	80	90 ±0.2	1.30
01 081 017	DK-S 45 × 100	35 <sup>+0.4</sup> <sub>0</sub>	95 <sup>+1.0</sup> <sub>-0.1</sub>	8	4	45	100	110 ±0.2	1.65
01 081 018	DK-S 45 × 150	35 <sup>+0.4</sup> <sub>0</sub>	95 <sup>+1.0</sup> <sub>-0.1</sub>	8	4	45	150	160 ±0.2	2.38
01 081 019	DK-S 50 × 120	40 <sup>+0.4</sup> <sub>0</sub>	108 <sup>+1.2</sup> <sub>-0.1</sub>	8	4	50	120	130 ±0.2	2.50
01 081 020	DK-S 50 × 200	40 <sup>+0.4</sup> <sub>0</sub>	108 <sup>+1.2</sup> <sub>-0.1</sub>	8	4	50	200	210 ±0.2	4.14
01 081 021	DK-S 50 × 300	40 <sup>+0.4</sup> <sub>0</sub>	108 <sup>+1.2</sup> <sub>-0.1</sub>	8	4	50	300	310 ±0.2	5.59

List of torque and loads on page 2.3.

If no other units are specified, the numbers given are in mm.