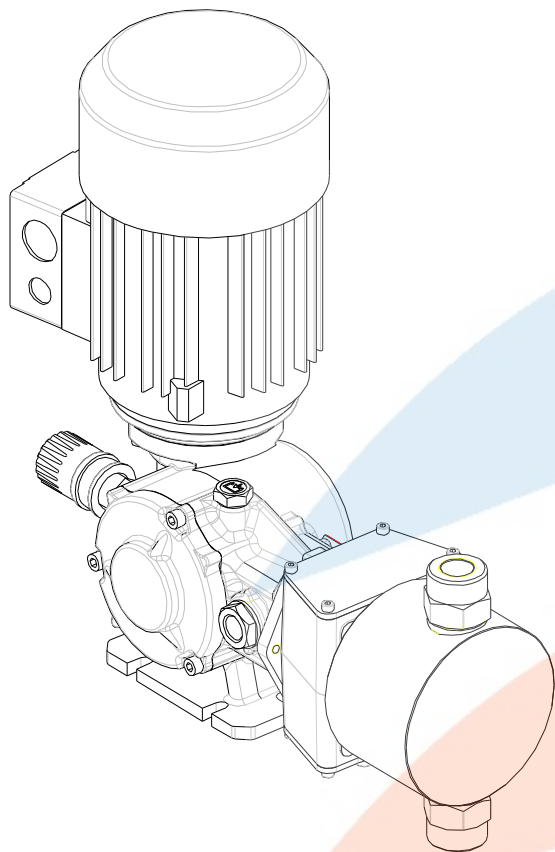




## DOSING PUMP

### **PS1** SERIES- Plunger piston Metering pump



#### Technical characteristics

- Flow rates: from 1.5 to 304 l/h
- Max Pressure: up to 20 bar (290 psi)
- Motor:
  - 0.18 kW and 0.25 kW - 3 ph (IP55)
  - 0.25 kW and 0.37 kW - 1 ph (IP55)
- Stroke rate: 58 – 78 – 116 strokes/minute
- Stroke length: 15 mm
- Piston diameter: from 6 to 64 mm
- Pump head:
  - SS 316 L
  - PVC
- Max. dosing temperature:
  - SS 316 L 90° C
  - PVC 40° C

Seko plunger piston pump PS1 Series has a wide range product. PS1 Series performances cover s from 1.5 to 304 l/h with a back pressure up to 20 bar, having several configurations available for the pump head and power, in order to have the characteristics most suitable for processes where required. PS1 pump have a spring return mechanism into an aluminum housing.

Each model has 3 values of stroke rate, which can be set manually or automatically using an actuator which accepts a signal 4-20 mA. Moreover they can be supplied with a 3 phases or 1 phase electric motor with protection class IP55.



# DOSING PUMP

## PS1 SERIES- Plunger piston Metering pump

### PUMP KEY CODE

1°	Model					
P	Plunger Piston					
2° 3°	Mechanism Type					
S1	Piston					
4°	Stroke Length [mm]					
D	15					
5°/6°/7°	Piston Diameter [mm]					
006	6					
011	11					
017	17					
025	25					
030	30					
038	38					
048	48					
054	54					
064	64					
8°	Stroke Rate [stroke/min]					
A	58					
B	78					
C	116					
9°/10°	Pump Head Material					
	Pump Head	Piston	Piston Seal	Valves	Seat Valves	Equipment
21	SS 316	SS 316	FPM	SS 316	SS 316	Standard
31	PVC	Ceramic	FPM	Ceramic	PTFE	
24	SS 316	Ceramic	EPDM	SS 316	SS 316	Special
32	PVC	Ceramic	FPM	SS 316	SS 316	
34	PVC	Ceramic	EPDM	Ceramic	PTFE	
11°/12°	Electric Motor Type [Kw]					
A4	0,18 (4 poles - 230/400 Vac - 50/60 Hz - 3 ph)					
B4	0,25 (4 poles - 230/400 Vac - 50/60 Hz - 3 ph)					
H4	0,25 (230 Vac - 50 Hz - 1 ph)	For the same performances. Use one size bigger than 3ph motor				
I4	0,37 (230 Vac - 50 Hz - 1 ph)					
S0	Without motor					
13°	Stroke Regulation					
0	Manual					
L	Automatic Linear SEKO					
14°	Customization					
0	Standard					
H	High Pressure pump Head					
15°	Optional					
0	Standard					

P	S1	D	011	B	31	A4	L	0	0
---	----	---	-----	---	----	----	---	---	---



# DOSING PUMP

## PS1 SERIES- Plunger piston Metering pump

### HYDRAULIC CHARACTERISTICS

Pump Model	Piston Diameter [mm]	Stroke/min	Flow rate		Max back pressure				Suction/Discharge Connection		Electric Motor 50 Hz 3 phases [kW]
					bar		p.s.i.				
			l/h	g/l/h	SS 316	PVC	SS 316	PVC	SS 316	PVC	
P S 1 D 0 0 6 A	6	58	1,5	0,40	20	10	290	145	1/4" G F	1/4" G F	0,18 (A4)
P S 1 D 0 0 6 B		78	2	0,53							
P S 1 D 0 0 6 C		116	3	0,79							
P S 1 D 0 1 1 A	11	58	5	1,32	20	10*	290	145*	1/4" G F	1/4" G F	0,18 (A4)
P S 1 D 0 1 1 B		78	6,5	1,72							
P S 1 D 0 1 1 C		116	10	2,65							
P S 1 D 0 1 7 A	17	58	11	2,91	20	10*	290	145*	3/8" G F	3/8" G F	0,18 (A4)
P S 1 D 0 1 7 B		78	15	3,97							
P S 1 D 0 1 7 C		116	22	5,82							
P S 1 D 0 2 5 A	25	58	25	6,61	20	10*	290	145*	3/8" G F	3/8" G F	0,18 (A4)
P S 1 D 0 2 5 B		78	32	8,47							
P S 1 D 0 2 5 C		116	50	13,23							
P S 1 D 0 3 0 A	30	58	35	9,26	20	10*	290	145*	3/8" G F	3/8" G F	0,25 (B4)
P S 1 D 0 3 0 B		78	45	11,90							
P S 1 D 0 3 0 C		116	70	18,52							
P S 1 D 0 3 8 A	38	58	55	14,55	17	10*	247	145*	3/8" G F	3/8" G F	0,25 (B4)
P S 1 D 0 3 8 B		78	73	19,31							
P S 1 D 0 3 8 C		116	110	29,10							
P S 1 D 0 4 8 A	48	58	85	22,49	10	10	145	145	1/2" G F	1/2" G F	0,25 (B4)
P S 1 D 0 4 8 B		78	114	30,16							
P S 1 D 0 4 8 C		116	170	44,97							
P S 1 D 0 5 4 A	54	58	110	29,10	8	8	116	116	1/2" G F	1/2" G F	0,25 (B4)
P S 1 D 0 5 4 B		78	145	38,36							
P S 1 D 0 5 4 C		116	220	58,20							
P S 1 D 0 6 4 A	64	58	152	40,21	6	4	87	58	3/4" G F	3/4" G F	0,25 (B4)
P S 1 D 0 6 4 B		78	204	53,97							
P S 1 D 0 6 4 C		116	304	80,42							

\*Available with special reinforced pump head for use with pressure up to 20 bar - 14" Field (Optional) in the Key Code identified by "H"

### PUMP HEAD MATERIAL

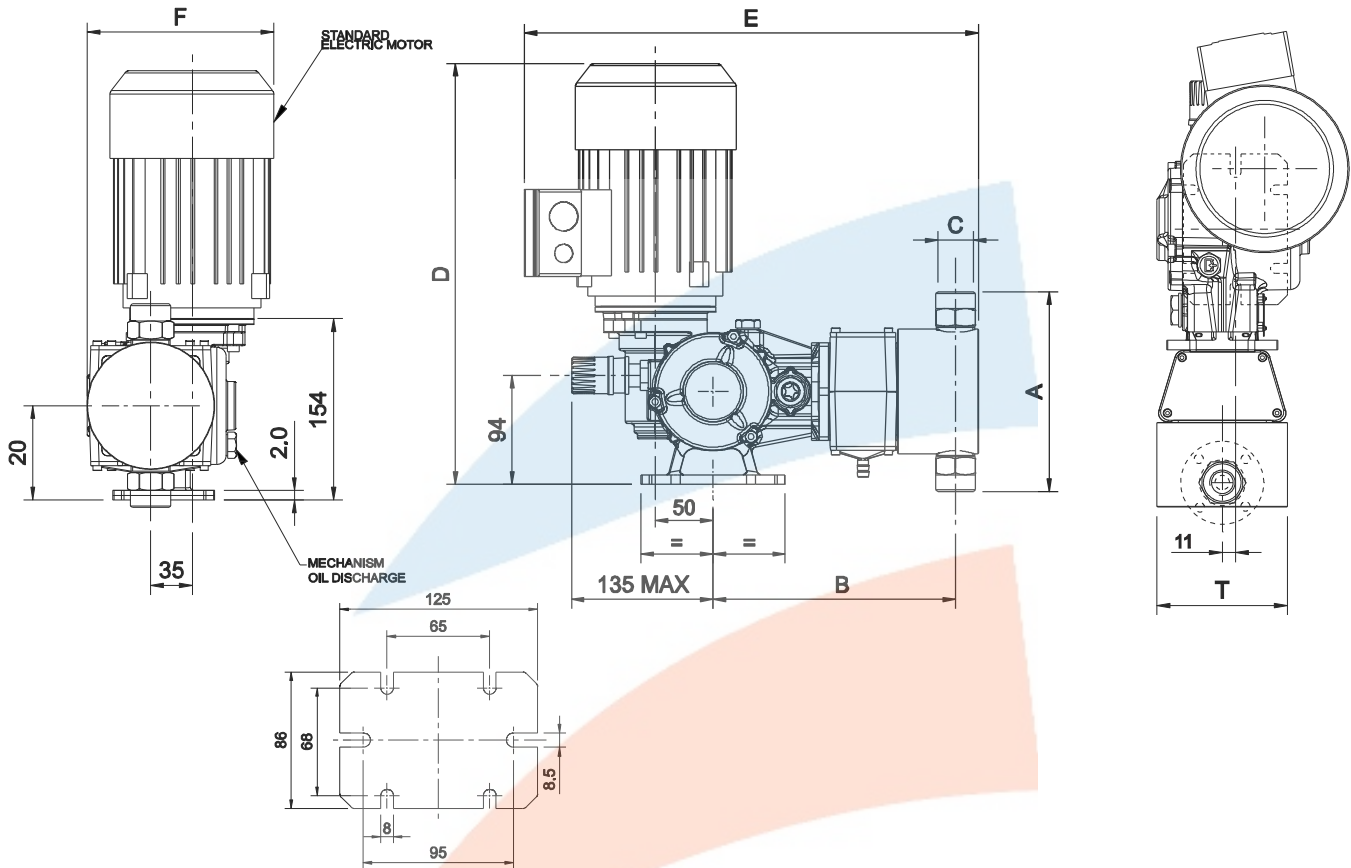
Material	Standard		Special					
	21	31	23	24	26	32	34	41
Pump Head	SS 316	PVC	SS 316	SS 316	SS 316	PVC	PVC	PVDF
Piston	SS 316	Ceramic	Ceramic	Ceramic	SS 316	Ceramic	Ceramic	Ceramic
Piston Seal	FPM	FPM	FPM	EPDM	EPDM	FPM	EPDM	FPM
Valves	SS 316	Ceramic	SS 316	SS 316	SS 316	SS 316	Ceramic	Ceramic
Seat Valves	SS 316	PTFE	SS 316	SS 316	SS 316	SS 316	PTFE	PVDF



# DOSING PUMP

## *PS1 SERIES- Plunger piston Metering pump*

### DIMENSIONS



Material Pump Head	Pump Model	A	B	C	T	3 PHASE					1 PHASE				
						P kW	Size	D mm	E mm	F mm	P kW	Size	D mm	E mm	F mm
AISI 316 (21 - 24)	PS1D006	161	195	1/4" G F	68	0.18	63 B14	333	362	151	0.25	71B14	371	392	160
	PS1D011	161	195	1/4" G F	68	0.18	63 B14	333	362	151	0.25	71B14	371	392	160
	PS1D017	121	195	3/8" G F	68	0.18	63 B14	333	362	151	0.25	71B14	371	392	160
	PS1D025	121	200	3/8" G F	68	0.18	63 B14	333	367	151	0.25	71B14	371	397	160
	PS1D030	122	200	3/8" G F	68	0.25	71B14	371	378	160	0.37	71B14	371	397	160
	PS1D038	164	210	3/8" G F	88.5	0.25	71B14	371	390	160	0.37	71B14	371	409	160
	PS1D048	164	210	1/2" G F	88.5	0.25	71B14	371	390	160	0.37	71B14	371	409	160
	PS1D054	176	210	1/2" G F	108	0.25	71B14	371	392	160	0.37	71B14	371	411	160
	PS1D064	195	215	3/4" G F	108	0.25	71B14	371	401	160	0.37	71B14	371	420	160
PVC (31-32-34)	PS1D006	220	195	1/4" G F	79	0.18	63 B14	333	368	151	0.25	71B14	371	398	160
	PS1D011	220	195	1/4" G F	79	0.18	63 B14	333	368	151	0.25	71B14	371	398	160
	PS1D017	179	195	3/8" G F	79	0.18	63 B14	333	368	151	0.25	71B14	371	398	160
	PS1D025	179	200	3/8" G F	78	0.18	63 B14	333	377	151	0.25	71B14	371	407	160
	PS1D030	178	200	3/8" G F	78	0.25	71B14	371	388	160	0.37	71B14	371	407	160
	PS1D038	200	210	3/8" G F	98	0.25	71B14	371	402	160	0.37	71B14	371	421	160
	PS1D048	244	210	1/2" G F	108	0.25	71B14	371	403	160	0.37	71B14	371	422	160
	PS1D054	253	210	1/2" G F	118	0.25	71B14	371	403	165	0.37	71B14	371	422	165
	PS1D064	273	215	3/4" G F	120	0.25	71B14	371	413	165	0.37	71B14	371	432	166