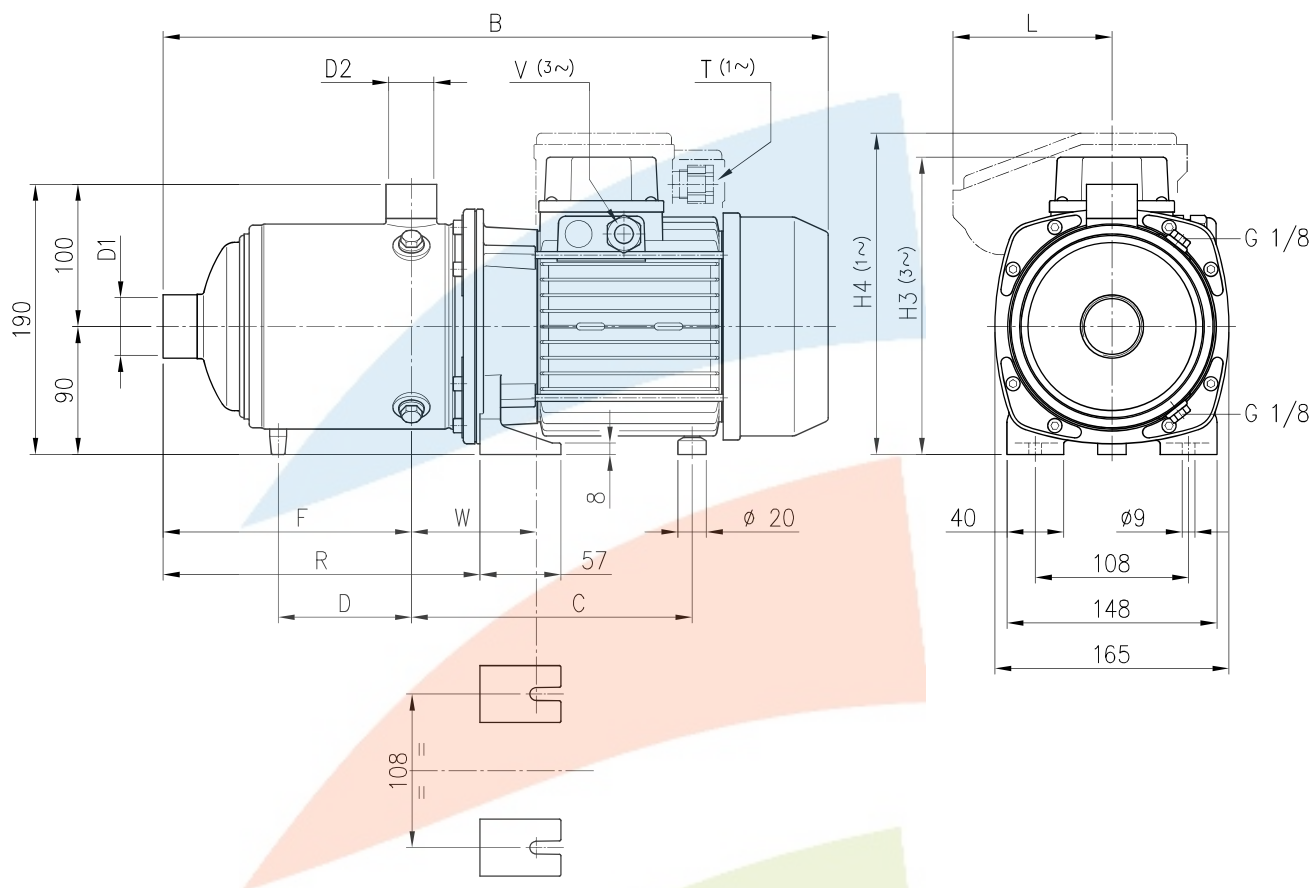
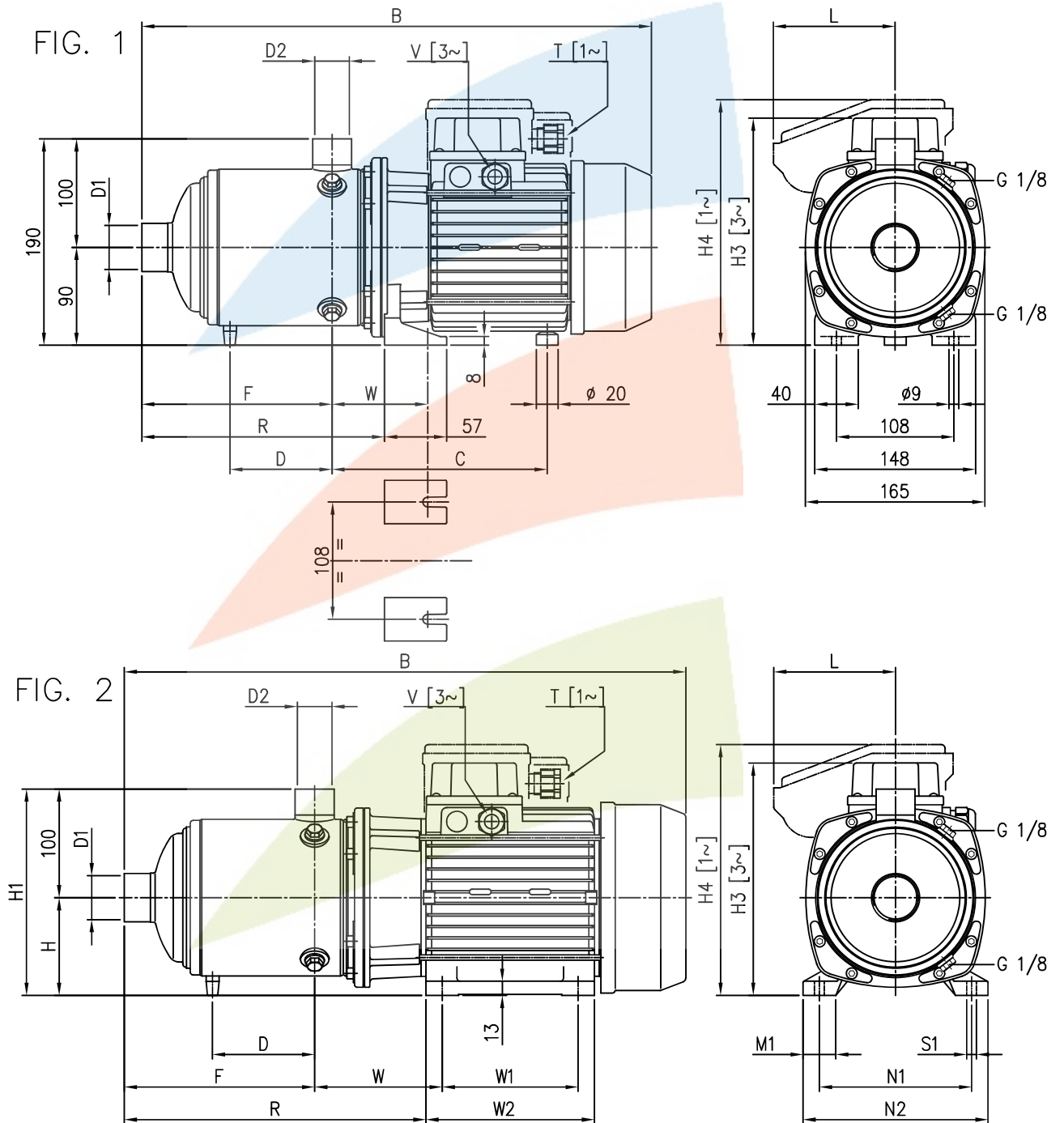


PUMP MATRIX 3



Pump Type	Dimensions [mm]												Weight [kgf]	
	D1	D2	B	C	D	F	H3 (3~)	H4 (1~)	L	R	T (1~)	V (3~)		W
MATRIX 3-2T/0,45M	1"	1"	360	171	-	103	-	200	86.5	151.5	Pg11	-	88 ÷ 97	8.5
MATRIX 3-2T/0,45			360	171	-	103	192	-	-	151.5	-	Pg11	88 ÷ 97	8.4
MATRIX 3-3T/0,65M			360	171	-	103	-	200	86.5	151.5	Pg11	-	88 ÷ 97	9.9
MATRIX 3-3T/0,65			360	171	-	103	192	-	-	151.5	-	Pg11	88 ÷ 97	9.8
MATRIX 3-4T/0,65M			384	171	-	127	-	200	86.5	175.5	Pg11	-	88 ÷ 97	10.6
MATRIX 3-4T/0,65			384	171	-	127	192	-	-	175.5	-	Pg11	88 ÷ 97	10.4
MATRIX 3-5T/0,75M			408	171	-	151	-	200	86.5	199.5	Pg11	-	88 ÷ 97	12.5
MATRIX 3-5T/0,75			408	171	-	151	192	-	-	199.5	-	Pg11	88 ÷ 97	12.4
MATRIX 3-6T/0,9M			432	171	-	175	-	219	106	223.5	M20x1,5	-	88 ÷ 97	13.7
MATRIX 3-6T/0,9			444	171	-	175	192	-	-	223.5	-	Pg11	88 ÷ 97	13.6
MATRIX 3-7T/1,3M			493	198	110.5	199	-	226	112	247.5	M20x1,5	-	88 ÷ 97	16.3
MATRIX 3-7T/1,3			493	198	110.5	199	209	-	-	247.5	-	Pg11	88 ÷ 97	17
MATRIX 3-8T/1,3M			517	198	134.5	223	-	226	112	271.5	M20x1,5	-	88 ÷ 97	16.3
MATRIX 3-8T/1,3			517	198	134.5	223	209	-	-	271.5	-	Pg11	88 ÷ 97	17.8
MATRIX 3-9T/1,5M			541	198	158.5	247	-	226	112	295.5	M20x1,5	-	88 ÷ 97	18.3
MATRIX 3-9T/1,5			554	198	158.5	247	209	-	-	295.5	-	Pg11	88 ÷ 97	20

PUMP DRAWING MATRIX 5/10/18



DIMENSION TABLE MATRIX 5/10/18

Pump Type	Fig.	D1	D2	Dimensions [mm]																			Weight [kgf]				
				H	H1	B	C	D	F	H3 (3~)	H4 (1~)	L	R	T (1~)	V (3~)	W	W1	W2	M1	N1	N2	S1					
MATRIX 5-2T/0.45 M	1	1 1/4"	1"	-	-	360	171	-	103	-	200	86,5	151,5	Pg11	-	88+97	-	-	-	-	-	-	8.5				
MATRIX 5-2T/0.45				-	-	360	171	-	103	192	-	-	151,5	-	Pg11	88+97	-	-	-	-	-	-	-	8.4			
MATRIX 5-3T/0.65 M				-	-	360	171	-	103	-	200	86,5	151,5	Pg11	-	88+97	-	-	-	-	-	-	-	9.9			
MATRIX 5-3T/0.65				-	-	360	171	-	103	192	-	-	151,5	-	Pg11	88+97	-	-	-	-	-	-	-	9.8			
MATRIX 5-4T/0.9 M				-	-	384	171	-	127	-	219	106	175,5	M20x1.5	-	88+97	-	-	-	-	-	-	-	12.2			
MATRIX 5-4T/0.9				-	-	396	171	-	127	192	-	-	175,5	-	Pg11	88+97	-	-	-	-	-	-	-	12.4			
MATRIX 5-5T/1.3 M				-	-	445	198	-	151	-	226	112	199,5	M20x1.5	-	88+97	-	-	-	-	-	-	-	15.8			
MATRIX 5-5T/1.3				-	-	445	198	-	151	209	-	-	199,5	-	Pg11	88+97	-	-	-	-	-	-	-	15.8			
MATRIX 5-6T/1.3 M				-	-	469	198	-	175	-	226	112	223,5	M20x1.5	-	88+97	-	-	-	-	-	-	-	15.2			
MATRIX 5-6T/1.3				-	-	469	198	-	175	209	-	-	223,5	-	Pg11	88+97	-	-	-	-	-	-	-	16.2			
MATRIX 5-7T/1.5 M				-	-	493	198	110,5	199	-	226	112	247,5	M20x1.5	-	88+97	-	-	-	-	-	-	-	18.3			
MATRIX 5-7T/1.5				-	-	506	198	110,5	199	209	-	-	247,5	-	Pg11	88+97	-	-	-	-	-	-	-	18.7			
MATRIX 5-8T/2.2 M	2			90	190	565	-	134,5	223	-	231	112	325,5	M20x1.5	-	117,5	125	155	30	140	170	9	22.3				
MATRIX 5-8T/2.2	1			-	-	530	198	134,5	223	209	-	-	271,5	-	Pg11	88+97	-	-	-	-	-	-	-	18.7			
MATRIX 5-9T/2.2 M	2			90	190	589	-	158,5	247	-	231	112	349,5	M20x1.5	-	117,5	125	155	30	140	170	9	23.3				
MATRIX 5-9T/2.2	1			-	-	554	198	158,5	247	209	-	-	295,5	-	Pg11	88+97	-	-	-	-	-	-	-	18.8			
MATRIX 10-2T/0.75 M	1	1 1/2"	1 1/4"	-	-	379	175	-	118	-	200	86,5	170,5	Pg11	-	92+101	-	-	-	-	-	11.3					
MATRIX 10-2T/0.75				-	-	379	175	-	118	192	-	-	170,5	-	Pg11	92+101	-	-	-	-	-	-	-	11.2			
MATRIX 10-3T/1.3 M				-	-	416	202	-	118	-	226	112	170,5	M20x1.5	-	92+101	-	-	-	-	-	-	-	14.3			
MATRIX 10-3T/1.3				-	-	416	202	-	118	209	-	-	170,5	-	Pg11	92+101	-	-	-	-	-	-	-	13.6			
MATRIX 10-4T/1.5 M				-	-	446	202	-	148	-	226	112	200,5	M20x1.5	-	92+101	-	-	-	-	-	-	-	15.6			
MATRIX 10-4T/1.5				-	-	459	202	-	148	209	-	-	200,5	-	Pg11	92+101	-	-	-	-	-	-	-	17.3			
MATRIX 10-5T/2.2 M				2			90	190	524	-	178	-	231	112	284,5	M20x1.5	-	121,5	125	155	30	140	170	9	21.8		
MATRIX 10-5T/2.2				1			-	-	489	202	-	178	209	-	-	230,5	-	Pg11	92+101	-	-	-	-	-	-	-	17.9
MATRIX 10-6T/2.2 M				2			90	190	554	-	118,5	208	-	231	112	314,5	M20x1.5	-	121,5	125	155	30	140	170	9	22.1	
MATRIX 10-6T/2.2				1			-	-	519	202	118,5	208	209	-	-	260,5	-	Pg11	92+101	-	-	-	-	-	-	-	18.3
MATRIX 18-2T/1.5M				1	2"	1 1/2"	-	-	442	205	-	141	-	226	112	196,5	M20x1.5	-	95 + 104	-	-	-	-	-	14.5		
MATRIX 18-2T/1.5							-	-	455	205	-	141	209	-	-	196,5	-	Pg11	95 + 104	-	-	-	-	-	-	16.2	
MATRIX 18-3T/2.2M	2						90	190	490	-	141	-	231	112	250,5	M20x1.5	-	124,5	125	155	30	140	170	9	20.7		
MATRIX 18-3T/2.2	1			-	-	455	205	-	141	209	-	-	196,5	-	Pg11	95 + 104	-	-	-	-	-	-	-	17.2			
MATRIX 18-4T/3	2	2"	1 1/2"	90	190	565	-	178,5	214	-	-	288	-	Pg13.5	124,5	125	155	30	140	170	9	23.8					
MATRIX 18-5T/4				100	200	615	-	123	216	241	-	-	315	-	Pg16	114	140	170	35	160	192	11	33.2				
MATRIX 18-6T/4				100	200	652	-	160,5	253,5	241	-	-	352,5	-	Pg16	114	140	170	35	160	192	11	34.2				