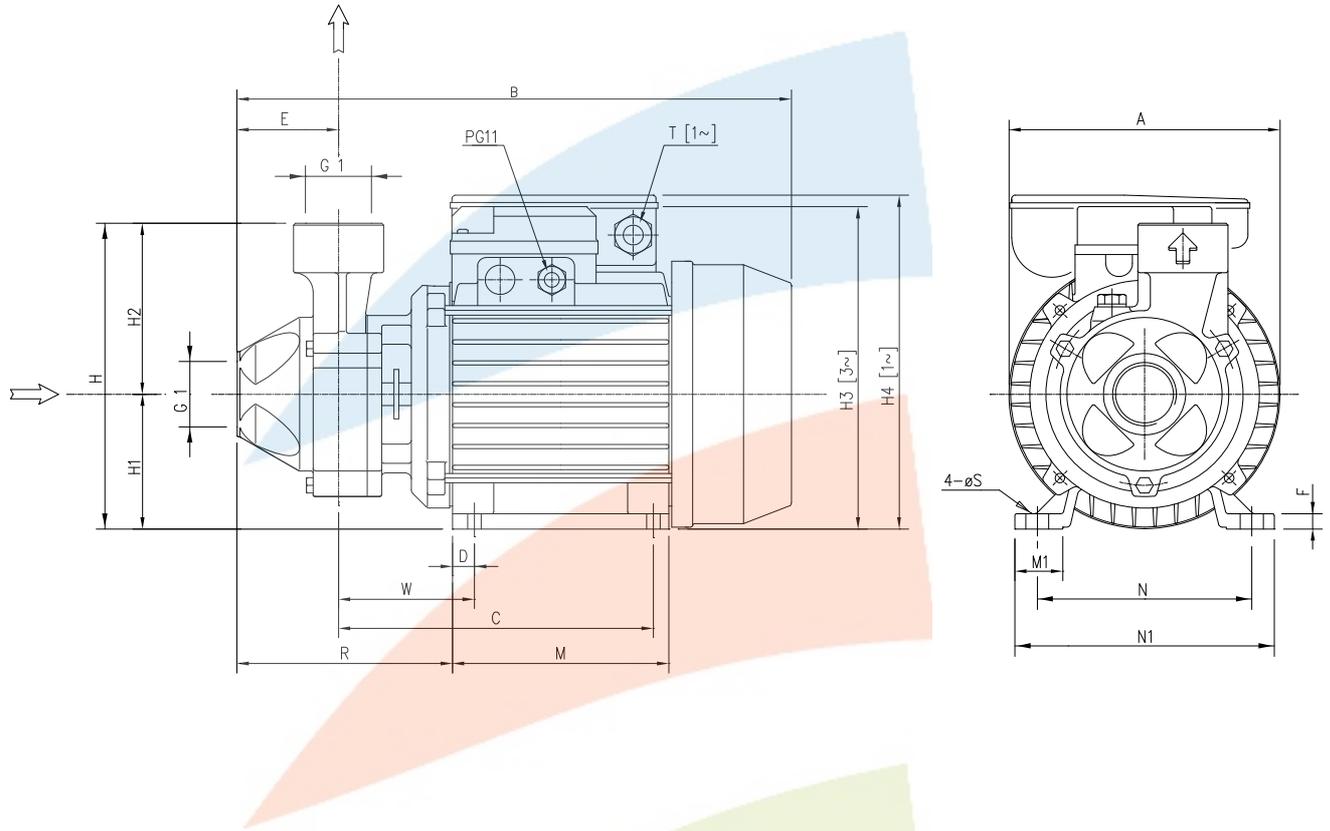


PUMP



Pump Type	Dimensions mm																			Weight [kgf]
	A	B	C	D	E	F	H	H1	H2	H3	H4	M	M1	N	N1	R	T	W	S	
PRA 0.50M	130	263.5	148.5	10	50	7	143	63	80	-	160	100	23	100	120	118.5	PG11	68.5	7	5.6
PRA 0.50T	130	263.5	148.5	10	50	7	143	63	80	149.5	-	100	23	100	120	118.5	-	68.5	7	5.6
PRA 0.80M	130	290.5	159.3	11	53.8	9	161	71	90	-	178	112	25	112	135	122	PG11	69.3	7	9.2
PRA 0.80T	150	290.5	159.3	11	53.8	9	161	71	90	167.5	-	112	25	112	135	122	-	69.3	7	9.2
PRA 1.00M	150	290.5	159.3	11	53.8	9	161	71	90	-	178	112	25	112	135	122	PG11	69.3	7	9.7
PRA 1.00T	150	290.5	159.3	11	53.8	9	161	71	90	167.5	-	112	25	112	135	122	-	69.3	7	10.5
PRA 1.50M	162	330.5	188	12	57	12	175	80	95	-	212	124	28	125	152	144	PG13.5	88	9	14.5
PRA 1.50T	162	330.5	188	12	57	12	175	80	95	186.5	-	124	28	125	152	144	-	88	9	15.5
PRA 2.00M	162	330.5	188	12	57	12	175	80	95	-	212	124	28	125	152	144	PG13.5	88	9	15.8
PRA 2.00T	162	344	188	12	57	12	175	80	95	186.5	-	124	28	125	152	144	-	88	9	16.4

[1~] Single Phase

[3~] Three Phase