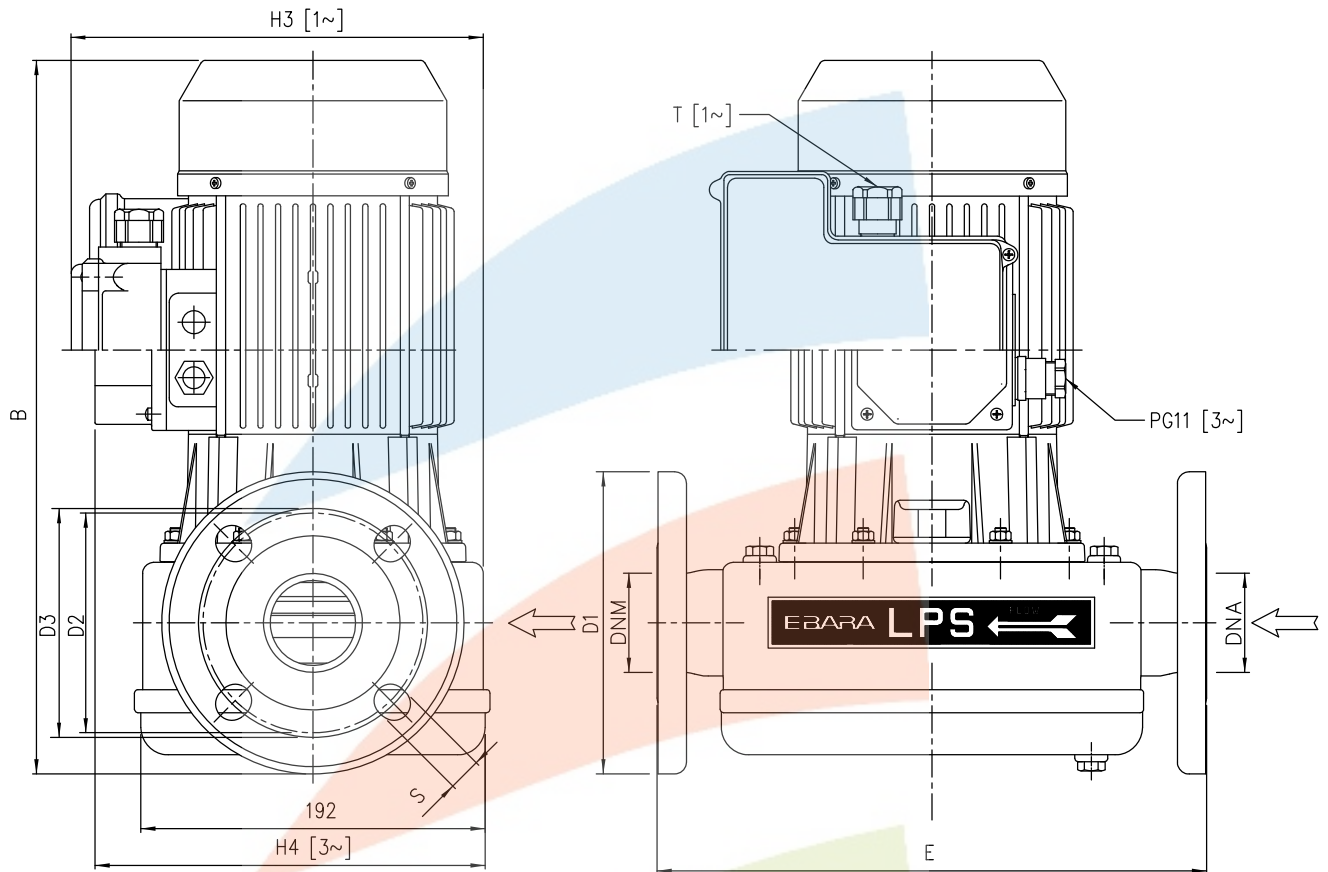


PUMP



Pump type		Dimensions in mm											Weight		
Single Phase [1~]	Three Phase [3~]	E	B		H3	H4	T	DNA	DNM	D1	D2	D3	S	[kgf]	
			[1~]	[3~]	[1~]	[3~]	[1~]							[1~]	[3~]
LPS 25/08M	LPS 25/08	300	322	322	206	197.5	PG11	25	25	115	85	85	14	10	10
LPS 25/15M	LPS 25/15	300	322	322	206	197.5	PG11	25	25	115	85	85	14	10	10
LPS 25/25M	LPS 25/25	300	322	322	206	197.5	PG11	25	25	115	85	85	14	10.1	10.1
LPS 32/25M	LPS 32/25	305	341.5	341.5	206	197.5	PG11	32	32	140	100	100	18	10.8	10.8
LPS 32/40M	LPS 32/40	305	341.5	341.5	206	197.5	PG11	32	32	140	100	100	18	10.8	10.8
LPS 40/25M	LPS 40/25	305	346.5	346.5	206	197.5	PG11	40	40	150	105	110	18	11	11
LPS 40/40M	LPS 40/40	305	346.5	346.5	206	197.5	PG11	40	40	150	105	110	18	11	11
LPS 40/75M	LPS 40/75	305	346.5	346.5	206	197.5	PG11	40	40	150	105	110	18	13.7	13.7
LPS 50/40M	LPS 50/40	310	356.5	356.5	206	197.5	PG11	50	50	165	120	125	18	11.6	11.6
LPS 50/75M	LPS 50/75	310	356.5	356.5	206	197.5	PG11	50	50	165	120	125	18	14.4	14.4
LPS 50/150M	LPS 50/150	310	387	400	232	214.5	PG13.5	50	50	165	120	125	18	17.7	19.6

[1~] Single Phase

[3~] Three Phase