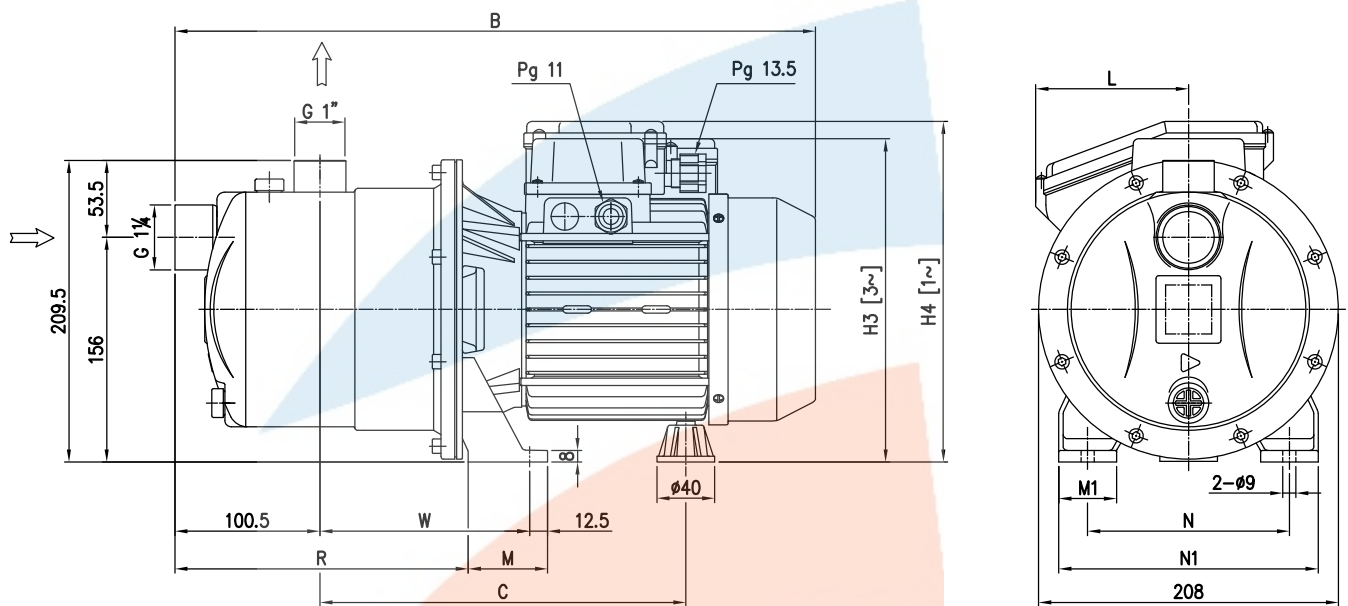


PUMP



Pump type JEXM-JEX	Dimensions in mm											Weight [kgf]		
	B	C	H3 [3~]	H4 [1~]	L [1~]	M	M1	N	N1	R	T [1~]	W	[1~]	[3~]
80	419	232.5	207.5	216	84	50	38	120	160	206.5	PG11	143.5	10.2	10.2
100	419	232.5	207.5	216	84	50	38	120	160	206.5	PG11	143.5	11.6	11.6
120	419	232.5	207.5	216	84	50	38	120	160	206.5	PG11	143.5	11.6	11.6
150	444.5	254	224.5	236.5	106	55	40	140	180	203.5	PG13.5	145.5	14.3	15.3

[1~] Single phase

[3~] Three phase