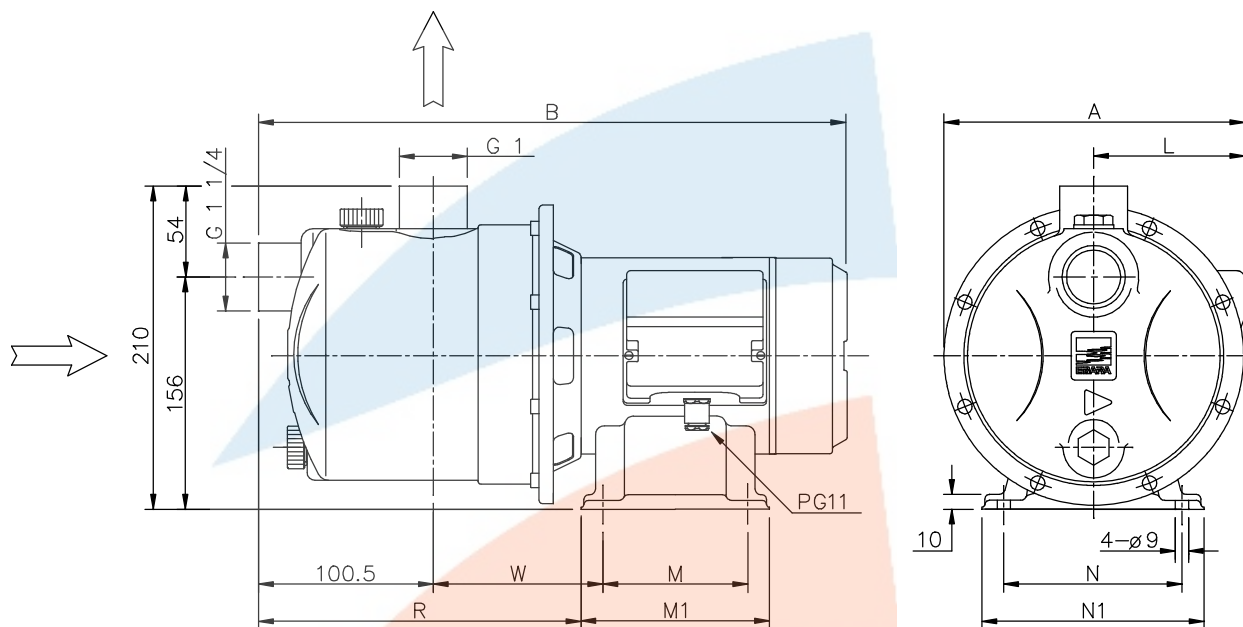


PUMP



Pump type	Dimensions in mm												Weight [kgf]	
	A		B		L		M	M1	N	N1	R	W	[1~]	[3~]
	[1~]	[3~]	[1~]	[3~]	[1~]	[3~]								
80	211	208	396	396	107	103	100	131	120	150	213	128	10.5	10.5
100	211	208	426	426	107	103	100	131	120	150	228	143	12	12
120	211	208	426	426	107	103	100	131	120	150	228	143	12.5	12.5
150	215.5	215.5	433.5	433.5	111.5	111.5	120	150	140	170	231	145.5	14.1	16.4

[1~] Single phase
[3~] Three phase