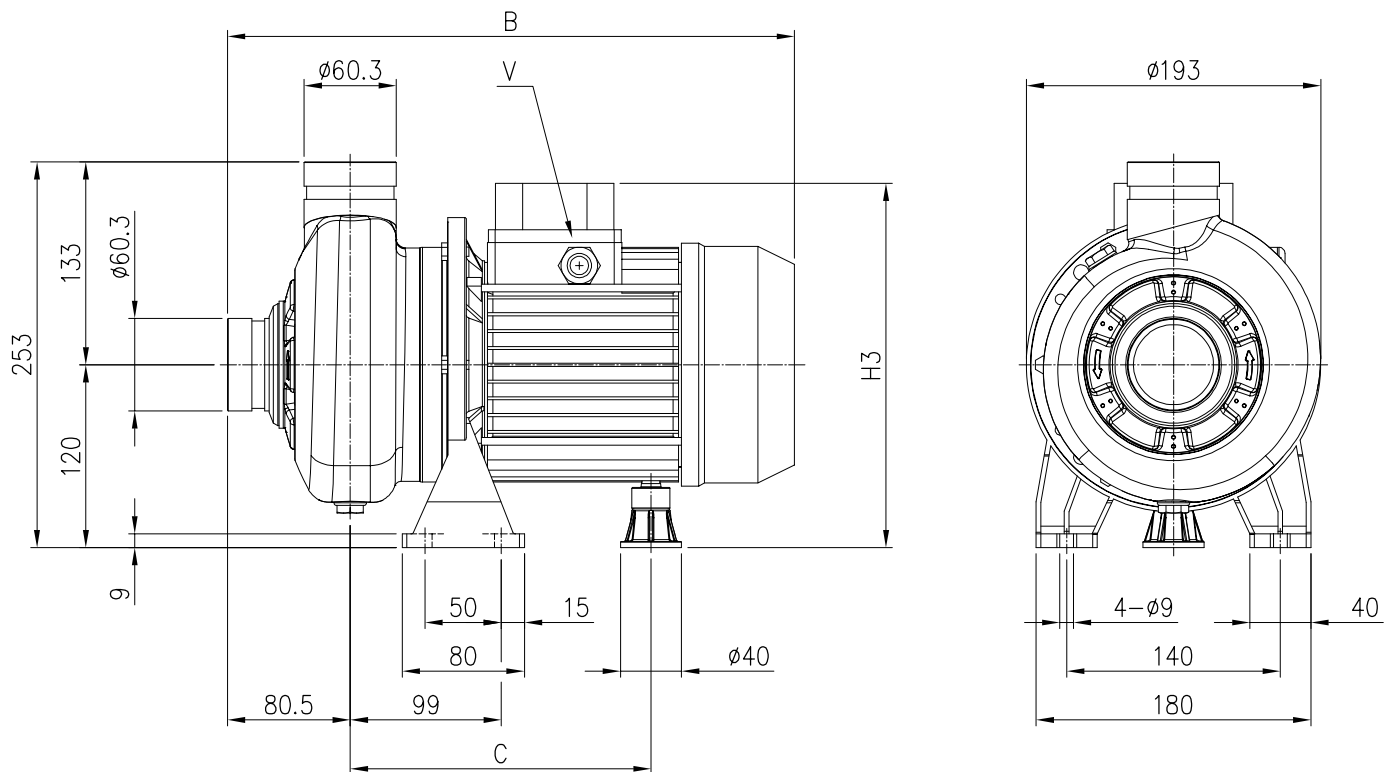
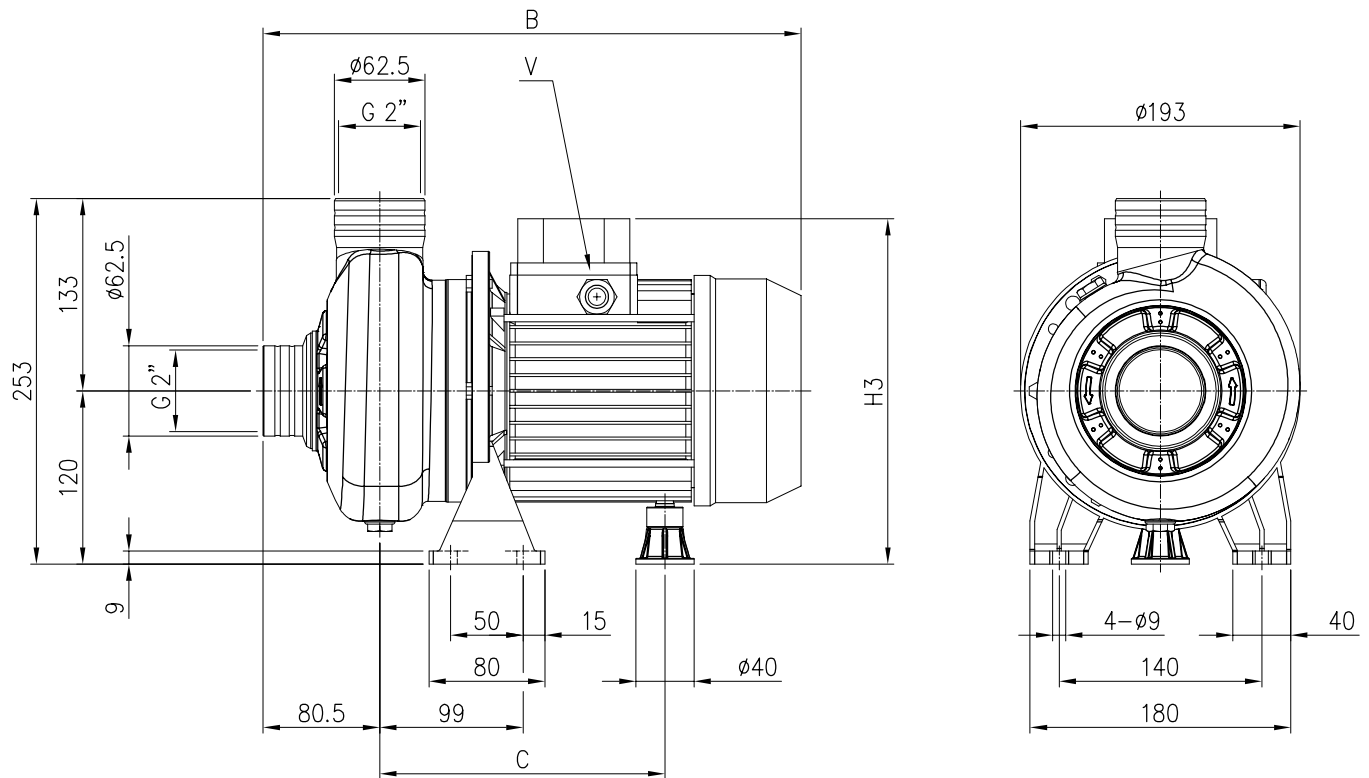


DWC-V (VICTAULIC CONNECTION)



Pump type	Dimensions [mm]				Weight [kgf]
	B	C	H3	V	
DWC-V 300/1.1	372	197	239	PG11	14.5
DWC-V 300/1.5	385	197	239	PG11	16
DWC-V 500/1.5	385	197	239	PG11	17
DWC-V 500/2.2	418	230 ÷ 241	244	PG13.5	20.3
DWC-V 500/3.0	457	230 ÷ 241	244	PG13.5	22.3

DWC-N (THREADED CONNECTION)



Pump type	Dimensions [mm]				Weight [kgf]
	B	C	H3	V	
DWC-N 300/1.1	372	197	239	PG11	14.5
DWC-N 300/1.5	385	197	239	PG11	16
DWC-N 500/1.5	385	197	239	PG11	16.5
DWC-N 500/2.2	418	230 ÷ 241	244	PG13.5	20.3
DWC-N 500/3.0	457	230 ÷ 241	244	PG13.5	22.3