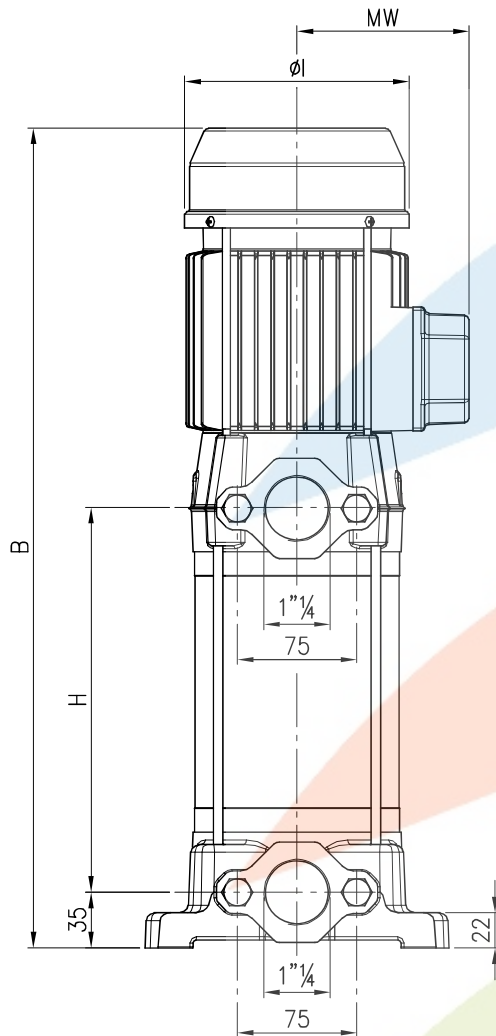


PUMP



Pump type	Motor Size	Dimensions [mm]						PG		Weight [kgf]	
		B [1~]	B [3~]	H	Øl	MW [1~]	MW [3~]	[1~]	[3~]	[1~]	[3~]
CVM A/4	63	336	336	112	124	101	91.5	11	-	11	11
CVM A/6		362	362	138						11.7	11.6
CVM A/8		388	388	164						12.7	12.6
CVM A/10	71	452	452	190	141	110.5	101	11	-	16.5	16.6
CVM A/12		478	490	216						17.5	18.4
CVM A/15		516	516	242						18.5	18.6
CVM A/18	80	565	565	268	159	136	120.5	13.5	11	21.2	21.8
CVM B/10	71	400	400	138	141	110.5	101	11	-	15.9	15.9
CVM B/12		426	438	164						16.8	17.5
CVM B/15		464	464	190						18	17.9
CVM B/20	80	513	526	216	159	134.5	120.5	13.5	-	21.3	22.8
CVM B/23		552	552	242						22.6	23.4
CVM B/25		-	578	268						-	-

[1~] Single phase
[3~] Three phase

