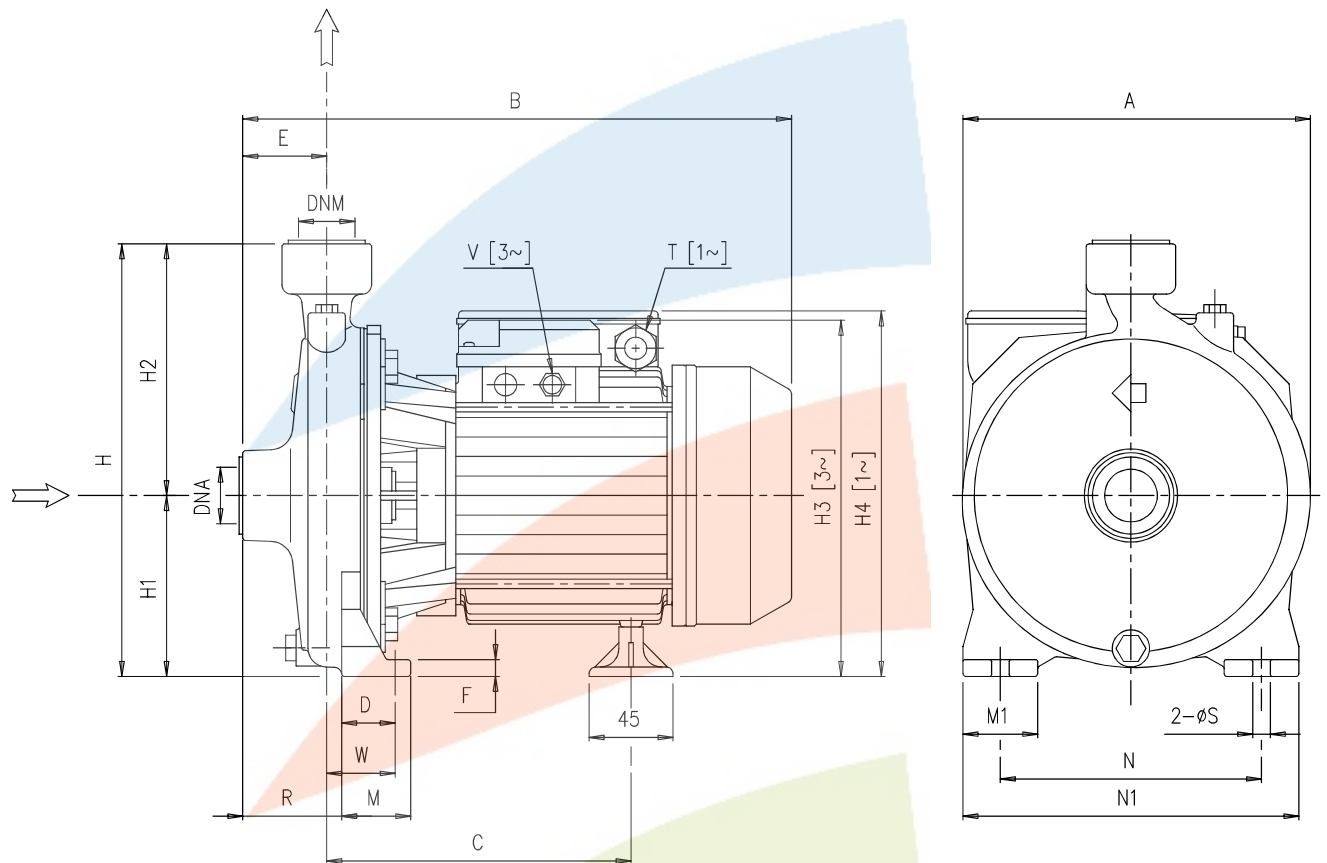


PUMP DRAWING



[1~] Single phase
[3~] Three phase

DIMENSION PUMP TABLE

Pump type	Dimensions [mm]																				Weight [kgf]		
	A	B	C	D	E	F	H	H1	H2	H3	H4	M	M1	N	N1	R	T	V	W	S		DNA	DNM
CMA 0.50M	160	261.8	158.8	30	44	8	202	82	120	-	173	40	40	110	150	44	PG11	-	30	9.5	G 1	G 1	7.2
CMA 0.50T	160	261.8	158.8	30	44	8	202	82	120	172.5	-	40	40	110	150	44	-	PG11	30	9.5	G 1	G 1	7.1
CMA 0.75M	185	300.3	171.8	36.8	45	9	232	97	135	-	198	45	40	140	180	45	PG11	-	36.8	9.5	G 1	G 1	10.3
CMA 0.75T	185	300.3	171.8	36.8	45	9	232	97	135	197.5	-	45	40	140	180	45	-	PG11	36.8	9.5	G 1	G 1	10.2
CMA 0.80M	185	300.3	171.8	36.8	45	9	232	97	135	-	198	45	40	140	180	45	PG11	-	36.8	9.5	G 1	G 1	10.7
CMA 0.80T	185	300.3	171.8	36.8	45	9	232	97	135	197.5	-	45	40	140	180	45	-	PG11	36.8	9.5	G 1	G 1	10.7
CMA 1.00M	185	300.3	171.8	36.8	45	9	232	97	135	-	198	45	40	140	180	45	PG11	-	36.8	9.5	G 1	G 1	11.5
CMA 1.00T	185	300.3	171.8	36.8	45	9	232	97	135	197.5	-	45	40	140	180	45	-	PG11	36.8	9.5	G 1	G 1	11.6
CMA 1.50M	200	347.3	208.3	41.8	45.5	9	252	100	152	-	232	50	40	155	194	45.5	PG13.5	-	41.8	9.5	G 1 ¼	G 1	19.5
CMA 1.50T	200	347.3	208.3	41.8	45.5	9	252	100	152	214	-	50	40	155	194	45.5	-	PG11	41.8	9.5	G 1 ¼	G 1	19.9
CMA 2.00M	225	360.3	208.3	41.8	45.5	9	285	115	170	-	247	50	40	180	220	45.5	PG13.5	-	41.8	9.5	G 1 ¼	G 1	22.8
CMA 2.00T	225	361	208.3	41.8	45.5	9	285	115	170	229	-	50	40	180	220	45.5	-	PG11	41.8	9.5	G 1 ¼	G 1	23.4
CMA 3.00T	225	360.3	208.3	41.8	45.5	9	285	115	170	229	-	50	40	180	220	45.5	-	PG11	41.8	9.5	G 1 ¼	G 1	23.4
CMB 0.75M	188	315.3	182.3	36.8	49.5	9	251.5	101.5	150	-	127.5	45	40	140	180	65.5	PG11	-	52.8	9.5	G 2	G 1 ¼	11.6
CMB 0.75T	188	315.3	182.3	36.8	49.5	9	251.5	101.5	150	127	-	45	40	140	180	65.5	-	PG11	52.8	9.5	G 2	G 1 ¼	11.6
CMB 1.00M	188	315.3	182.3	36.8	49.5	9	251.5	101.5	150	-	127.5	45	40	140	180	65.5	PG11	-	52.8	9.5	G 2	G 1 ¼	13.7
CMB 1.00T	188	315.3	182.3	36.8	49.5	9	251.5	101.5	150	127	-	45	40	140	180	65.5	-	PG11	52.8	9.5	G 2	G 1 ¼	13.7
CMB 1.50M	188	349.3	206.3	36.8	49.5	9	251.5	101.5	150	-	233.5	45	40	140	180	65.5	PG13.5	-	52.8	9.5	G 2	G 1 ¼	19.9
CMB 1.50T	188	349.3	206.3	36.8	49.5	9	251.5	101.5	150	215.5	-	45	40	140	180	65.5	-	PG11	52.8	9.5	G 2	G 1 ¼	19.5
CMB 2.00M	200	373.3	209.3	36.8	57.5	9	271.5	111.5	160	-	243.5	45	40	160	200	76.5	PG13.5	-	55.8	9.5	G 2	G 1 ¼	21
CMB 2.00T	200	374	209.3	36.8	57.5	9	271.5	111.5	160	225.5	-	45	40	160	200	76.5	-	PG11	55.8	9.5	G 2	G 1 ¼	22
CMB 3.00T	200	373.3	209.3	36.8	57.5	9	271.5	111.5	160	225.5	-	45	40	160	200	76.5	-	PG11	55.8	9.5	G 2	G 1 ¼	21.3
CMB 4.00T	247	428.8	222.3	48	60	12	323.5	133.5	190	264.5	-	60	50	190	240	77.5	-	PG16	65.5	12	G 2	G 1 ¼	37.7
CMB 5.50T	247	469	222.3	48	60	12	323.5	133.5	190	264.5	-	60	50	190	240	77.5	-	PG16	65.5	12	G 2	G 1 ¼	43.4
CMC 0.75M	186	313.3	186.8	36.8	43	9	247	97	150	-	198	45	40	140	180	63.5	PG11	-	57.3	9.5	G 2	G 2	11.6
CMC 0.75T	186	313.3	186.8	36.8	43	9	247	97	150	197.5	-	45	40	140	180	63.5	-	PG11	57.3	9.5	G 2	G 2	11.6
CMC 1.00M	186	313.3	186.8	36.8	43	9	247	97	150	-	198	45	40	140	180	63.5	PG11	-	57.3	9.5	G 2	G 2	13
CMC 1.00T	186	313.3	186.8	36.8	43	9	247	97	150	197.5	-	45	40	140	180	63.5	-	PG11	57.3	9.5	G 2	G 2	13.8
CMD 1.50M	213	384.3	222.8	36.8	68	12	271.5	111.5	160	-	243.5	45	40	160	200	100.5	PG13.5	-	69.3	9.5	G 2 ½	G 2 ½	21.3
CMD 1.50T	213	384.3	222.8	36.8	68	12	271.5	111.5	160	225.5	-	45	40	160	200	100.5	-	PG11	69.3	9.5	G 2 ½	G 2 ½	22.2
CMD 2.00M	213	397.3	222.8	36.8	68	12	271.5	111.5	160	-	243.5	45	40	160	200	100.5	PG13.5	-	69.3	9.5	G 2 ½	G 2 ½	23
CMD 2.00T	213	398	222.8	36.8	68	12	271.5	111.5	160	225.5	-	45	40	160	200	100.5	-	PG11	69.3	9.5	G 2 ½	G 2 ½	23.3
CMD 3.00T	213	397.3	222.8	36.8	68	12	271.5	111.5	160	225.5	-	45	40	160	200	100.5	-	PG11	69.3	9.5	G 2 ½	G 2 ½	23
CMD 4.00T	213	449.3	234.8	36.8	68	12	271.5	111.5	160	354	-	45	50	160	200	100.5	-	PG16	69.3	9.5	G 2 ½	G 2 ½	34.3