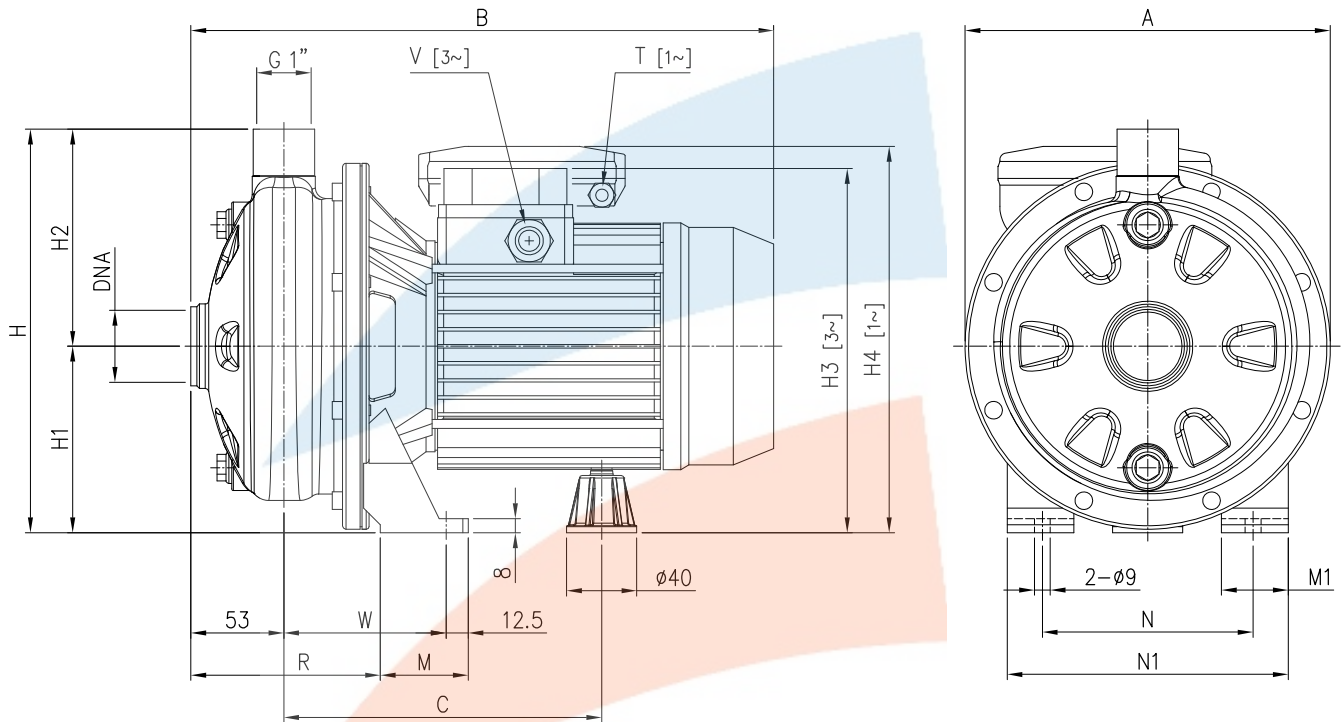


PUMP



Pump type CDXM CDX	Dimensions [mm]																Weight [kgf]				
	A	B		C	H	H1	H2	H3	H4	M	M1	N	N1	R	T	V	W	DNA	[1~]	[3~]	
		[1~]	[3~]					[3~]	[1~]						[1~]	[3~]					
70/05	208	321	320	181	229.5	106	123.5	207	216	50	38	120	160	108	PG11	PG11	92.5	G1 1/4	8.3	8.3	
70/07	208	321	320	181	229.5	106	123.5	207	216	50	38	120	160	108	PG11	PG11	92.5	G1 1/4	9.8	9.7	
90/10	208	321	320	181	229.5	106	123.5	207	216	50	38	120	160	108	PG11	PG11	92.5	G1 1/4	11	11	
120/07	208	321	320	181	229.5	106	123.5	207	216	50	38	120	160	108	PG11	PG11	92.5	G1 1/4	9.6	9.5	
120/12	208	321	332	181	229.5	106	123.5	207	235	50	38	120	160	108	PG11	PG11	92.5	G1 1/4	11.8	12.4	
120/20	232	346.5	359	198.5	250	118	132	237	248.5	55	40	140	180	105.5	PG13.5	PG11	95	G1 1/4	16.5	17.2	
200/12	208	321	332	181	229.5	106	123.5	207	235	50	38	120	160	108	PG13.5	PG11	92.5	G1 1/2	11.4	12.2	
200/20	208	346.5	359	198.5	229.5	106	123.5	225	236.5	55	40	140	180	105.5	PG13.5	PG11	95	G1 1/2	15.3	16.1	
200/25	232	-	359	198.5	250	118	132	237	-	55	40	140	180	105.5	-	PG11	95	G1 1/2	-	15.9	

[1~] Single phase
[3~] Three phase