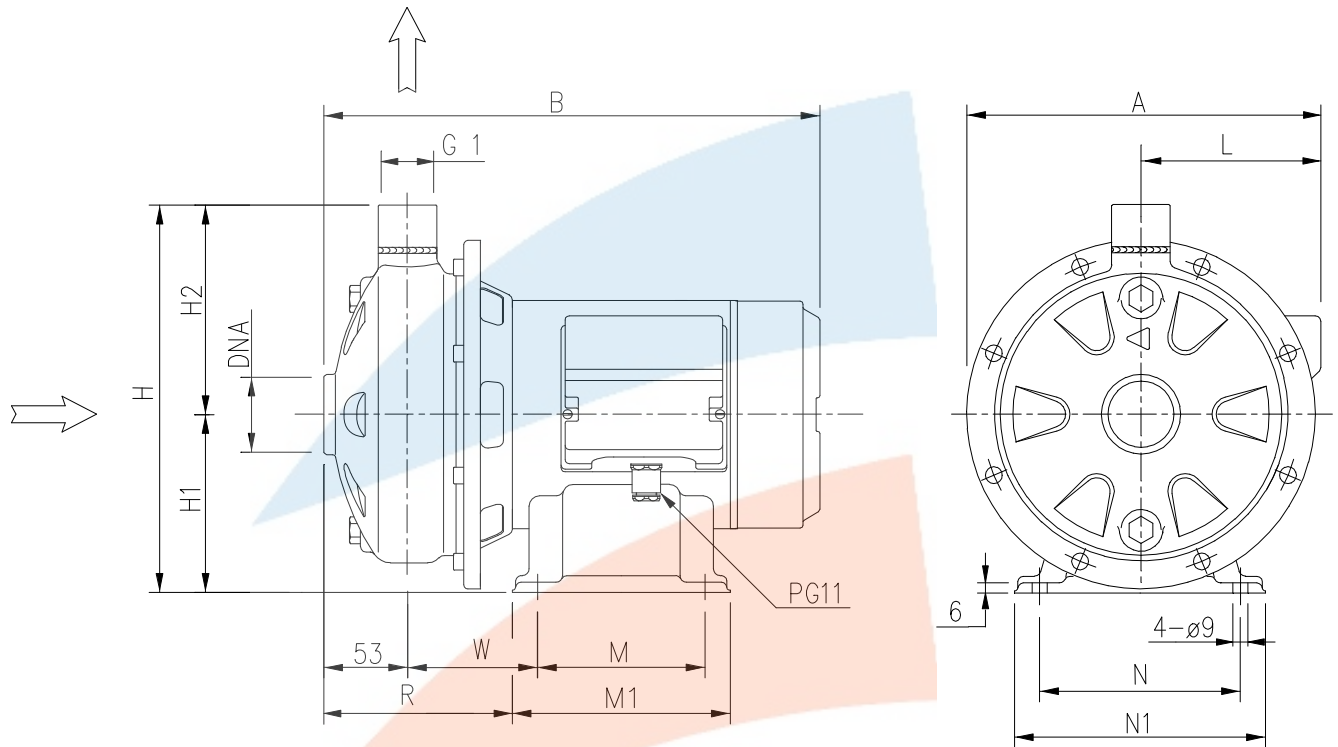


PUMP



Pump type CDM-CD	Dimensions [mm]																		Weight [kgf]	
	A		B		H	H1	H2	L		M		M1		N	N1	R	W	DNA	[1-]	[3-]
	[1-]	[3-]	[1-]	[3-]				[1-]	[3-]	[1-]	[3-]	[1-]	[3-]							
70/05	209	208	298	298	229.5	106	123.5	105	104	100	100	130	130	120	150	115.5	77.5	G1 1/4	8.7	8.7
70/07	209	208	298	298	229.5	106	123.5	105	104	100	100	130	130	120	150	115.5	77.5	G1 1/4	10	10
70/12	208	208	328	338	229.5	106	123.5	104	104	100	100	130	130	120	150	130.5	92.5	G1 1/4	13.2	13.7
90/10	209	208	328	328	229.5	106	123.5	105	104	100	100	130	130	120	150	130.5	92.5	G1 1/4	11.5	11.6
120/07	209	208	298	298	229.5	106	123.5	105	104	100	100	130	130	120	150	115.5	77.5	G1 1/4	10	10.5
120/12	208	208	328	338	229.5	106	123.5	104	104	100	100	130	130	120	150	130.5	92.5	G1 1/4	12.3	12.9
120/20	232	232	356	366	250	118	132	116	116	120	120	150	150	140	170	133	95	G1 1/4	15.3	17.4
200/12	208	208	328	338	229.5	106	123.5	104	104	100	100	130	130	120	150	130.5	92.5	G1 1/2	12	12.6
200/20	213	213	356	366	229.5	106	123.5	109	109	120	120	150	150	140	170	133	95	G1 1/2	15.8	16.6
200/25	-	232	-	366	250	118	132	-	116	-	120	-	150	140	170	138	100	G1 1/2	-	17.4

[1-] Single phase

[3-] Three phase