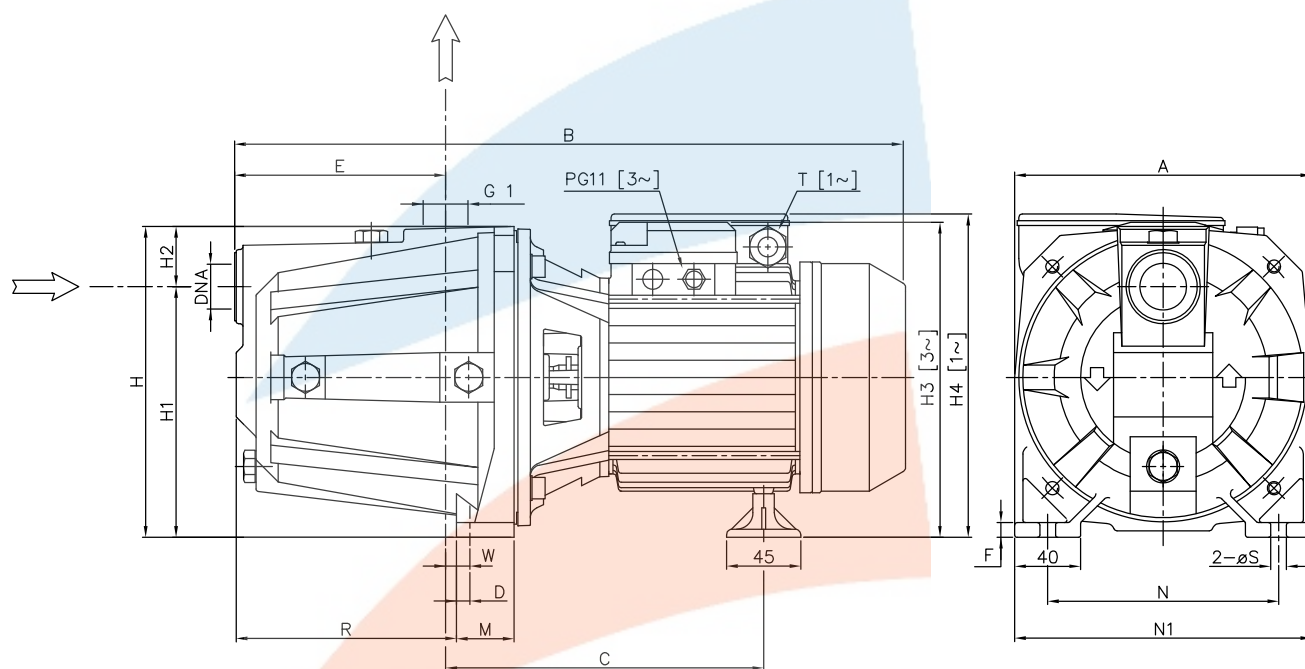


PUMP



Pump type	Dimensions [mm]																			Weight [kgf]
	A	B	C	D	E	F	H	H1	H2	[3~] H3	[1~] H4	M	N	N1	R	[1~] T	W	S	DNA	
AGA 0.60 M	180	405	195	10.3	127	9	185	152	33	-	199	40	140	180	128.5	PG11	11.8	9.5	G 1	12
AGA 0.60 T	180	405	195	10.3	127	9	185	152	33	197.5	-	40	140	180	128.5	-	11.8	9.5	G 1	12
AGA 0.75 M	180	405	195	10.3	127	9	185	152	33	-	199	40	140	180	128.5	PG11	11.8	9.5	G 1	12.5
AGA 0.75 T	180	405	195	10.3	127	9	185	152	33	197.5	-	40	140	180	128.5	-	11.8	9.5	G 1	12.3
AGA 1.00 M	180	405	195	10.3	127	9	185	152	33	-	199	40	140	180	128.5	PG11	11.8	9.5	G 1	13.8
AGA 1.00 T	180	405	195	10.3	127	9	185	152	33	197.5	-	40	140	180	128.5	-	11.8	9.5	G 1	14.8
AGA 1.50 M	220	508	244	10	157	10	223	170	53	-	247	48	180	220	167.5	PG13.5	15.5	9	G 1 1/2	25.5
AGA 1.50 T	220	495	244	10	157	10	223	170	53	229	-	48	180	220	167.5	-	15.5	9	G 1 1/2	25.6
AGA 2.00 M	220	508	244	10	157	10	223	170	53	-	247	48	180	220	167.5	PG13.5	15.5	9	G 1 1/2	26.6
AGA 2.00 T	220	495	244	10	157	10	223	170	53	229	-	48	180	220	167.5	-	15.5	9	G 1 1/2	26.8
AGA 3.00 T	220	508	244	10	157	10	223	170	53	229	-	48	180	220	167.5	-	15.5	9	G 1 1/2	28.1
AGC 1.50 M	220	508	244	10	157	10	223	170	53	-	247	48	180	220	167.5	PG13.5	15.5	9	G 1 1/2	25.5
AGC 1.50 T	220	495	244	10	157	10	223	170	53	229	-	48	180	220	167.5	-	15.5	9	G 1 1/2	27.4
AGC 2.00 M	220	508	244	10	157	10	223	170	53	-	247	48	180	220	167.5	PG13.5	15.5	9	G 1 1/2	26.6
AGC 2.00 T	220	508	244	10	157	10	223	170	53	229	-	48	180	220	167.5	-	15.5	9	G 1 1/2	27.7
AGC 3.00 T	220	508	244	10	157	10	223	170	53	229	-	48	180	220	167.5	-	15.5	9	G 1 1/2	28.1

[1 ~] Single phase
[3 ~] Three phase